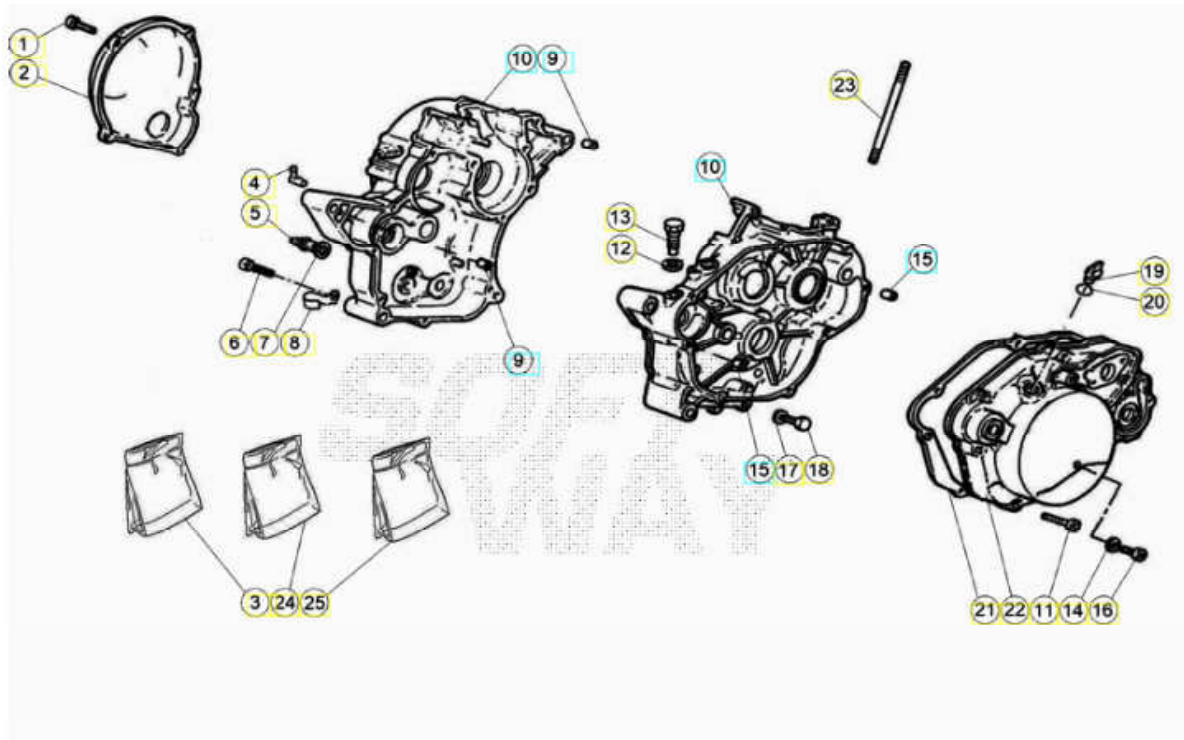


FEMON PARTS

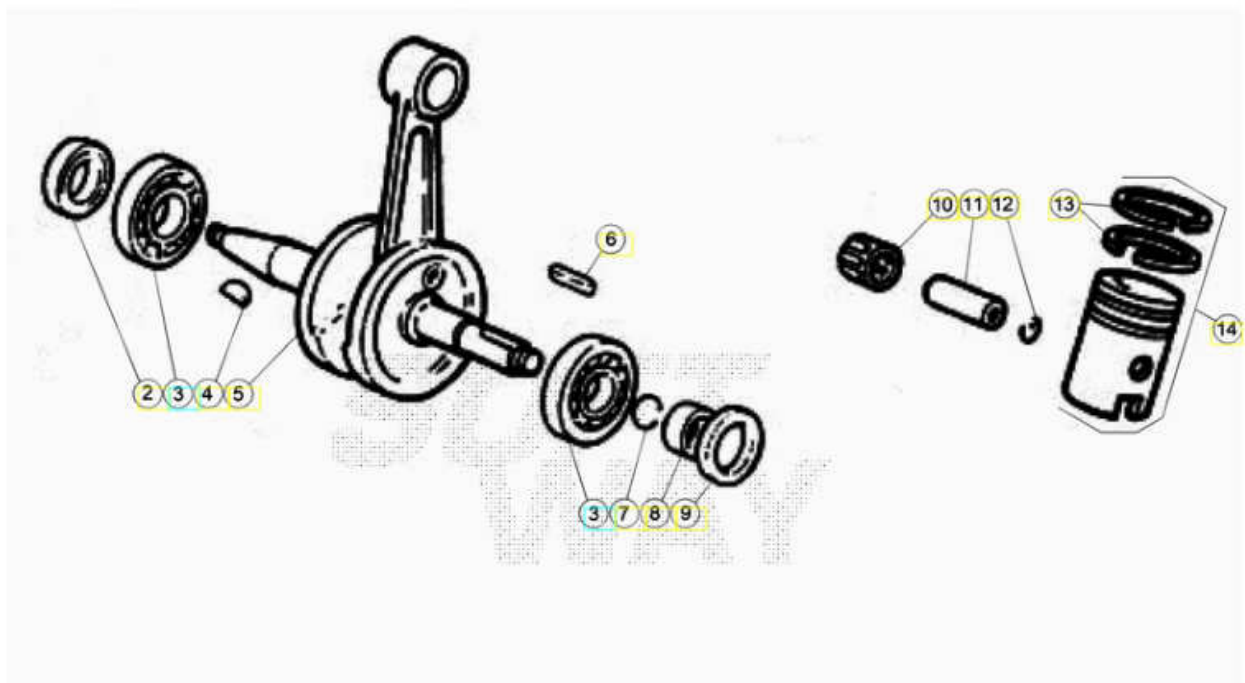
BETA 50 Enduro Sport MY 21-22





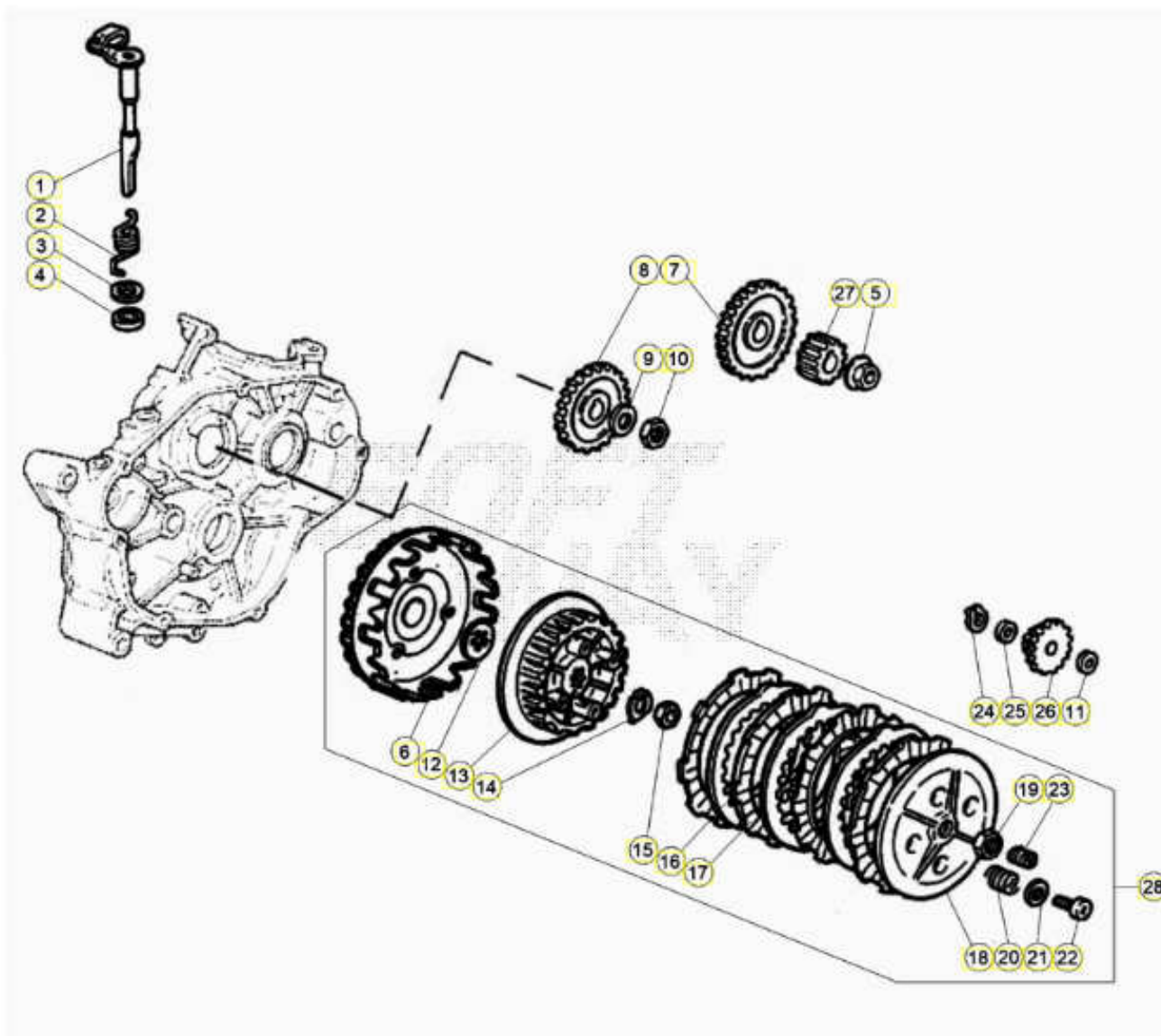
N°	Réf.	Description
1	34.01650.000	VIS T.C.C.E. M5X20 (49.0854.9) BETA 50 RR 2T 2021
2	34.00101.059	COUVERCLE VOLANT BETA 50 RR 2T 2021
3	024.43.010.00.00	AUTOCOLLANT CARTE MOTEUR BETA 50 RR 2T 2021
4	34.01230.000	RACCORD ECHAPPEMENT HUILE (15.0648.9) BETA 50 RR 2T 2021
5	34.01060.000	INTERRUPTEUR TEMOIN (56.0357.0) BETA 50 RR 2T 2021
6	34.01690.000	VIS T.C.C.E. M6X40 (49.0865.9) BETA 50 RR 2T 2021
7	34.00920.000	JOINT D.9,9X16X1 BETA 50 RR 2T 2021
8	34.02150.000	PLAQUE PASSE-TUBE SUR ACCOUPLEMENT (2606 BETA 50 RR 2T 2021
9	34.01020.000	GRAIN RIF. CARTER 11,5X12 BETA 50 RR 2T 2021
10	34.02221.000	CARTER K/S-ENTREE D. BETA 50 RR 2T 2021
11	046.01.000.00.00	VIS M6X30 BETA 50 RR 2T 2021
12	34.00880.000	JOINT VIS ARRET DEMARRAGE BETA 50 RR 2T 2021
13	34.01730.000	VIS T.E. M12X1,25 DEMARRAGE (49.0922.0) BETA 50 RR 2T 2021
14	34.00890.000	JOINT VIS NIVEAU HUILE BETA 50 RR 2T 2021
15	34.01030.000	GRAIN RIF. D.8,5X7,6 BETA 50 RR 2T 2021
16	34.01610.000	VIS T.C.B. M7X7 (49.0842.0) BETA 50 RR 2T 2021
17	34.00900.000	JOINT VIS ECHAPPEMENT HUILE BETA 50 RR 2T 2021

18	34.01720.000	VIS T.E. M8X10 (VIDANGE HUILE) BETA 50 RR 2T 2021
19	34.00330.000	BOUCHON ALIMENTATION HUILE (24.7054.7) BETA 50 RR 2T 2021
20	34.00831.000	ANNEAU TENUE OR 15,10X2,70 (53.0178.8) BETA 50 RR 2T 2021
21	34.00860.000	JOINT COUVERCLE COTE EMBRAYAGE BETA 50 RR 2T 2021
22	34.02124.059	COUVERCLE EMBRAYAGE CPT BETA 50 RR 2T 2021
23	34.01400.000	PRIGIONIER M7X115 (49.0514.0) BETA 50 RR 2T 2021
24	34.01831.000	JEU JOINTS EN ENVELOPPE (71.0687.100) BETA 50 RR 2T 2021
25	34.01840.000	JEU SPY (71.0726.6) BETA 50 RR 2T 2021



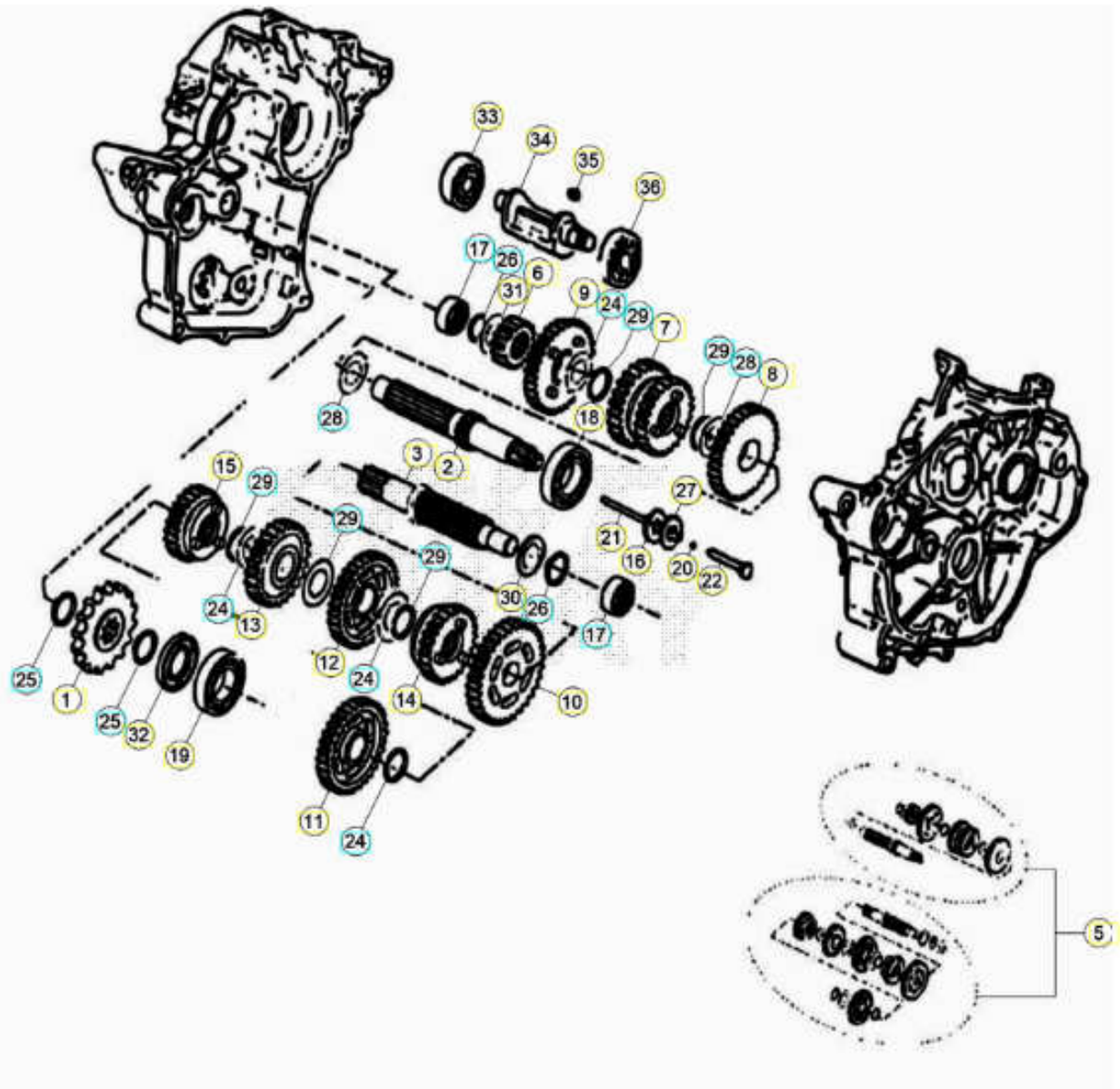
N°	Réf.	Description
2	34.02330.000	JOINT SPY B1B D.17X35X8 FER BETA 50 RR 2T 2021
3	34.00750.000	ROULEMENT D.17X47X14 BETA 50 RR 2T 2021
4	34.01290.000	CLAVETTE VOLANT (49.0124.8) BETA 50 RR 2T 2021
5	024.02.001.00.00	VILEBREQUIN BETA 50 RR 2T 2021
6	34.01280.000	CLAVETTE PIGNON MOTEUR (49.0118.0) BETA 50 RR 2T 2021
7	34.00790.000	BAGUE OR 12,5X1,5 BETA 50 RR 2T 2021
8	34.01380.000	ENTRATOISE ROULEMENT PARAHUILE EMBRAYAGE BETA 50 RR 2T 2021
9	34.00970.000	SPY BAVY U3 D.24X35X7 BETA 50 RR 2T 2021

		CAGE K D 12X15X15 BETA 50 RR 2T 2021
10	34.00700.000	
		CHEVILLE (56.0610.0) BETA 50 RR 2T 2021
11	34.01120.000	
		BAGUE ARRETE CHEVILLE (03.0213.0) BETA 50 RR 2T 2021
12	34.01150.000	
		SEGMENT - KIT BETA 50 RR 2T 2021
13	046.02.002.00.00	
14	046.02.000.00.00	PISTON MOTEUR D40,3 BETA 50 RR 2T 2021



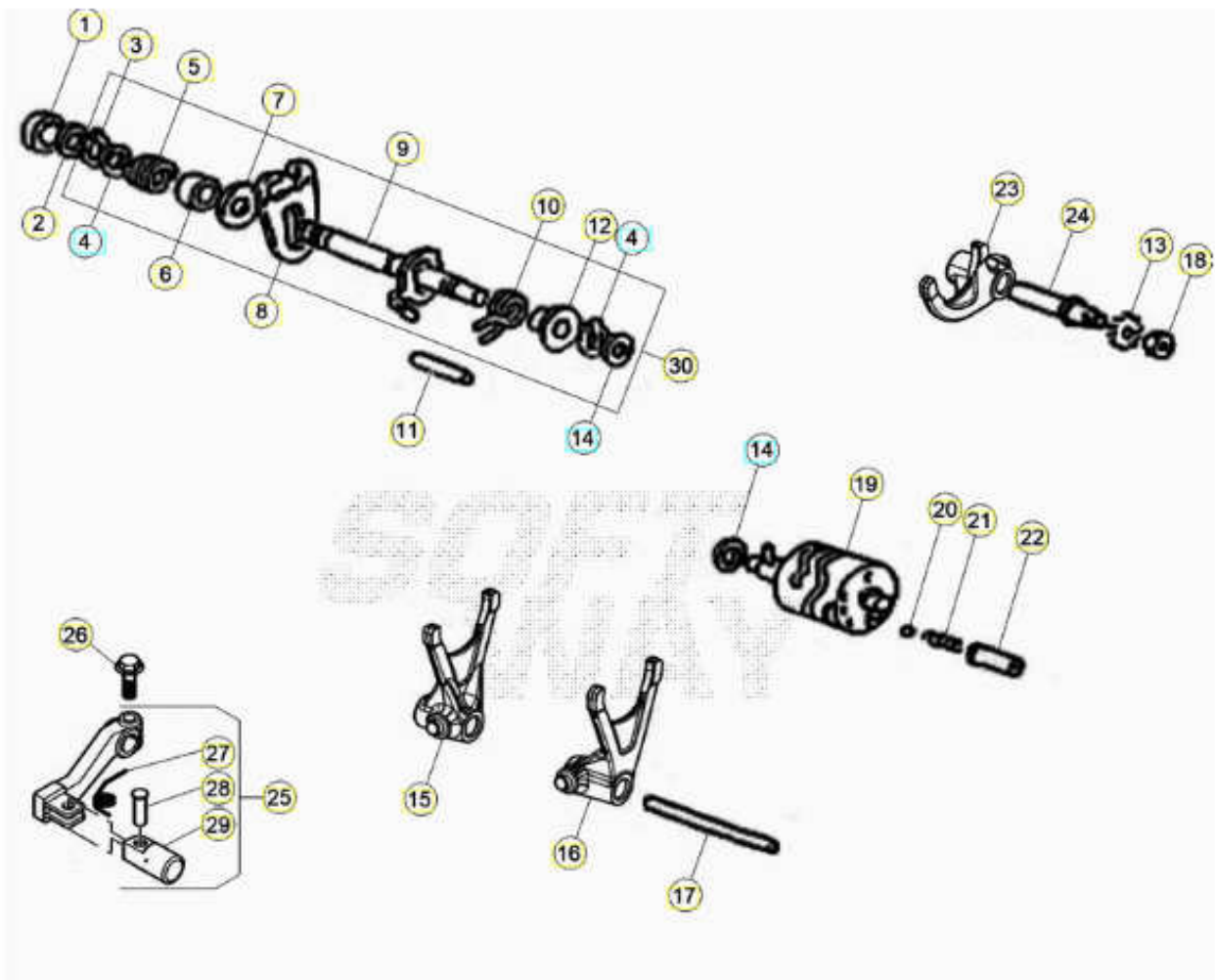
N°	Réf.	Description
1	34.00170.000	LEVIER EMBRAYAGE COMPLETE (43.0032.0) BETA 50 RR 2T 2021
2	34.00650.000	RESSORT RAPPEL LEVIER EMBRAYAGE BETA 50 RR 2T 2021
3	34.01570.000	RONDELLE D.14X26X0,5 (49.0701.0) BETA 50 RR 2T 2021
4	34.02320.000	JOINT SPY BA D. 15X24X5 BETA 50 RR 2T 2021
5	34.01360.000	ECROU M12X1,25 H.11 BETA 50 RR 2T 2021
6	024.03.000.80.00	CLOCHE COMPLETE EMBRAYAGE BETA 50 RR 2T 2021
7	024.03.008.00.00	ENGRENAGE BETA 50 RR 2T 2021

		ENGRENAGE BETA 50 RR 2T 2021
8	024.03.009.00.00	
9	34.01450.000	RONDELLE 12,3X22 (49.0644.0) BETA 50 RR 2T 2021
10	34.01350.000	ECROU M12X1 H.5 (49.0342.0) BETA 50 RR 2T 2021
11	34.01520.000	RONDELLE D.8,4X16 EP. 0,6 (49.1609.6) BETA 50 RR 2T 2021
12	046.03.000.00.00	ENTRETOISE BETA 50 RR 2T 2021
13	34.00410.000	BARILLET EMBRAYAGE (40.3602.0) BETA 50 RR 2T 2021
14	34.01560.000	RONDELLE D.12 ECROU EMBRAYAGE BETA 50 RR 2T 2021
15	34.01330.000	ECROU M12X1,25 (49.0337.0) BETA 50 RR 2T 2021
16	024.03.001.00.00	DISQUE ACIER BETA 50 RR 2T 2021
17	024.03.002.00.00	DISQUE MENANT BETA 50 RR 2T 2021
18	34.00370.000	PLATEAU DE PRESSION EMBRAYAGE(35.0138.0 BETA 50 RR 2T 2021
19	34.01340.000	ECROU M14X1,25 VIS REG. EMBR.-49.0324.0 BETA 50 RR 2T 2021
20	024.03.003.00.00	RESSORT EMBRAYAGE BETA 50 RR 2T 2021
21	024.03.004.00.00	RONDELLE BETA 50 RR 2T 2021
22	024.03.005.00.00	VIS BETA 50 RR 2T 2021
23	34.01580.000	VIS REGISTRE EMBRAYAGE M14X1,25 BETA 50 RR 2T 2021
24	34.01160.000	BAGUE SEEGER ARBRE D.8 (03.0301.6) BETA 50 RR 2T 2021
25	34.01530.000	RONDELLE D.8,2X15X1 (49.1613.0) BETA 50 RR 2T 2021
26	34.00520.000	ENGRENAGE DOUBLE INTERM. (40.048.7) BETA 50 RR 2T 2021
27	024.03.007.00.00	PIGNON DE TRANSMISSION PRIMAIR BETA 50 RR 2T 2021
28	024.03.006.80.00	EMBRAYAGE COMPLET BETA 50 RR 2T 2021



N°	Réf.	Description
1	34.02210.000	"PIGNON RENVOI Z11 1/2""Z1/4"" (580421 BETA 50 RR 2T 2021
2	34.00241.000	ARBRE PRIMAIRE BOITE A VITESSE BETA 50 RR 2T 2021
3	34.00262.000	ARBRE SECONDAIRE BOITE A VITESSE BETA 50 RR 2T 2021
5	34.01811.000	BOITE A VITESSE COMPL. 6VIT. BETA 50 RR 2T 2021
6	34.00421.000	ENGRENAGE 2 SUR PRIMAIRE BETA 50 RR 2T 2021
7	34.00431.000	ENGRENAGE 3 -4 SUR PRIMAIRE BETA 50 RR 2T 2021
8	34.00441.000	ENGRENAGE 5 SUR PRIMAIRE BETA 50 RR 2T 2021
9	34.00451.000	ENGRENAGE 6 SUR PRIMAIRE BETA 50 RR 2T 2021
10	34.00462.000	ENGRENAGE 1 SUR SECONDAIRE BETA 50 RR 2T 2021
11	34.00472.000	ENGRENAGE 2 SUR SECONDAIRE BETA 50 RR 2T 2021
12	34.00481.000	ENGRENAGE 3 SUR SECONDAIRE BETA 50 RR 2T 2021

13	34.00491.000	ENGRENAGE 4 SUE SECONDAIRE BETA 50 RR 2T 2021
14	34.00501.000	ENGRENAGE 5 SUR SECONDAIRE BETA 50 RR 2T 2021
15	34.00511.000	ENGRENAGE 6 SUR SECONDAIRE BETA 50 RR 2T 2021
16	34.00670.000	RESSORT A DISQUE BETA 50 RR 2T 2021
17	024.04.000.00.00	CAGE BETA 50 RR 2T 2021
18	33.00670.000	ROULEMENT D.1740.12 (RIV. 6203) BETA 50 RR 2T 2021
19	34.00731.000	ROULEMENT D.20X47X14 BETA 50 RR 2T 2021
20	046.04.001.00.00	SPHERE D4,76 BETA 50 RR 2T 2021
21	34.00990.000	HAMPE EMBRAYAGE D.5X16,6 BETA 50 RR 2T 2021
22	34.01110.000	HAMPE PLATEAU DE PRESSION EMBRAYAGE BETA 50 RR 2T 2021
24	34.01502.000	RONDELLE SP.1,0 BETA 50 RR 2T 2021
25	34.01200.000	BAGUE SEEGER ARBRE D.20 (03.0312.7) BETA 50 RR 2T 2021
26	046.04.003.00.00	BAGUE D_ARRET D14 BETA 50 RR 2T 2021
27	34.01470.000	RONDELLE 17,2X30 EP. 0,8 (49.0652.0) BETA 50 RR 2T 2021
28	34.01503.000	RONDELLE SP.0,5 BETA 50 RR 2T 2021
29	34.01221.000	BAGUE SEEGER ARBRE D.20 BETA 50 RR 2T 2021
30	34.01501.000	RONDELLE BETA 50 RR 2T 2021
31	34.01504.000	RONDELLE D.14 X 22 X 1 BETA 50 RR 2T 2021
32	34.01770.000	SPY AS D.20X35X7 (53.0549.9) BETA 50 RR 2T 2021
33	34.00710.000	ROULEMENT D.15X35X11 BETA 50 RR 2T 2021
34	024.04.003.00.00	ARBRE D_EQUILIBRAGE BETA 50 RR 2T 2021
35	34.01270.000	CLAVETTE ENGRENAGE (49.0112.0) BETA 50 RR 2T 2021
36	34.00740.000	ROULEMENT D.17X40X12 BETA 50 RR 2T 2021



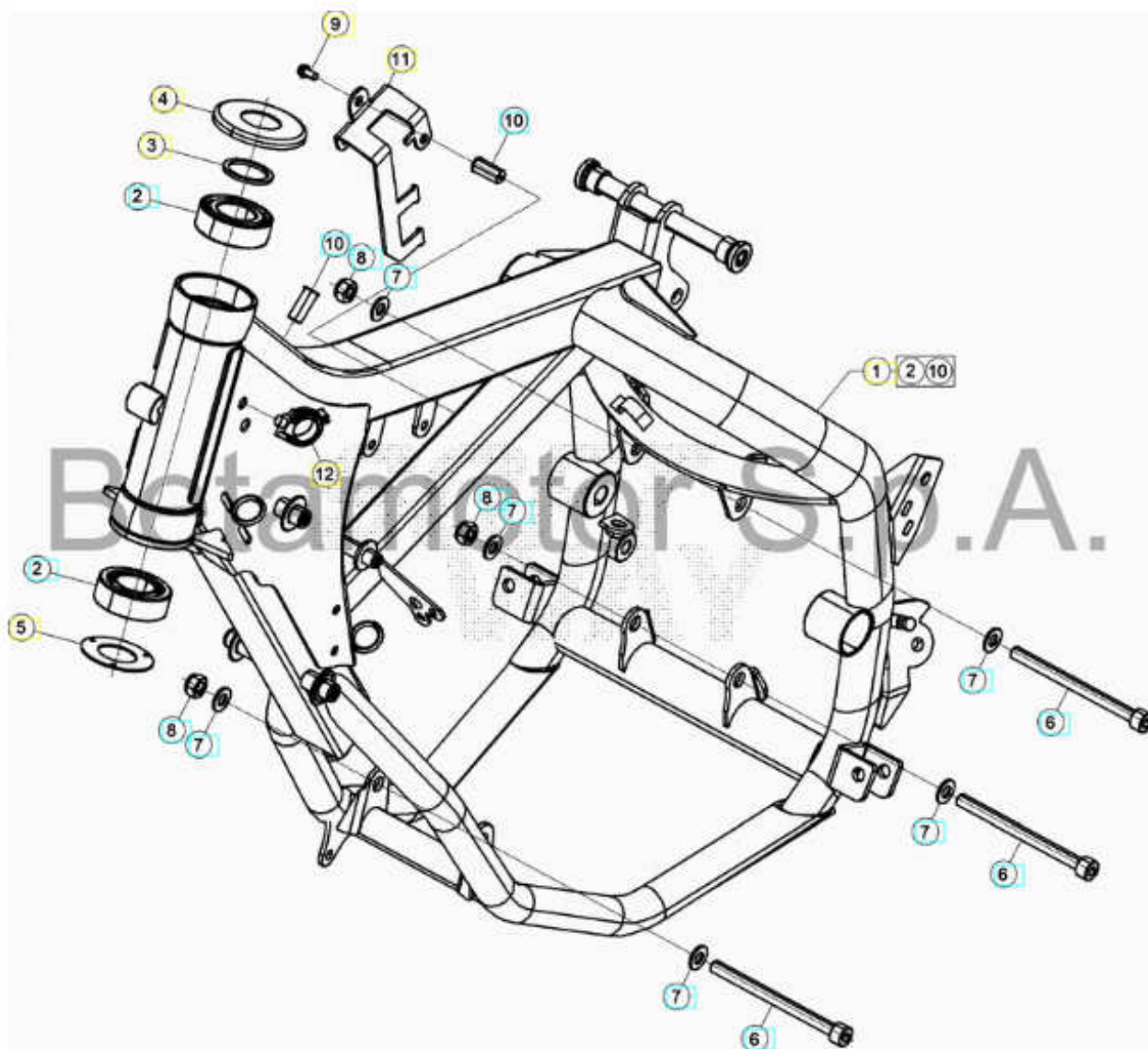
N°	Réf.	Description
		JOINT SPY BA D. 12X22X7 BETA 50 RR 2T 2021
1	34.02310.000	
2	34.01440.000	RONDELLE 12X17 EP. 0.6 (49.0642.6) BETA 50 RR 2T 2021
3	34.01450.000	RONDELLE 12,3X22 (49.0644.0) BETA 50 RR 2T 2021
4	34.01170.000	BAGUE SEEGER ARBRE D.12 (03.0302.6) BETA 50 RR 2T 2021
5	34.00630.000	RESSORT RAPPEL FOURCHE BETA 50 RR 2T 2021
6	34.01370.000	ENTRETOISE D.12,4X14,4X11 (49.0412.7) BETA 50 RR 2T 2021
7	34.01540.000	RONDELLE D.12,75X28X1,5 (49.0680.0) BETA 50 RR 2T 2021
8	34.00110.000	FOURCHE SELECTEUR AVEC PIVOTS-33.0021.7 BETA 50 RR 2T 2021
9	34.00270.000	ARBRE SELECTEUR (01.0511.0) BETA 50 RR 2T 2021
10	34.00640.000	RESSOR RAPPEL LEVIER BOITE A VITESSE BETA 50 RR 2T 2021
11	34.01080.000	PIVOT (56.0978.7) BETA 50 RR 2T 2021
12	34.00690.000	BAGUE GUIDE RESSORT SELECTEUR BETA 50 RR 2T 2021
13	34.01420.000	RONDELLE D.7 DENTEE (49.0612.9) BETA 50 RR 2T 2021
14	34.01430.000	RONDELLE EN ACIER 10X16 EP. 0,6 BETA 50 RR 2T 2021
15	046.05.001.00.00	FOURCHETTE COMMANDE BOITE A VI BETA 50 RR 2T 2021
16	046.05.000.00.00	FOURCHETTE COMMANDE BOITE A VI BETA 50 RR 2T 2021

17	34.01050.000	PIVOT GUIDE FOURCHE D.7,8X103,5-56.0902 BETA 50 RR 2T 2021
18	34.01300.000	ECROU M7X5,5 (49.0305.9) BETA 50 RR 2T 2021
19	34.00060.000	DESMODROMIQUE BETA 50 RR 2T 2021
20	046.05.004.00.00	SPHERE D9 BETA 50 RR 2T 2021
21	34.00620.000	RESSORT SPHERIQUE VITESSES BETA 50 RR 2T 2021
22	34.01000.000	LOGEMENT SPHERE VITESSES BETA 50 RR 2T 2021
23	046.05.002.00.00	PIVOT GUIDE FOURCHE D.7,8X72 BETA 50 RR 2T 2021
24	34.01040.000	LEVIER DE BOITE DE VITESSES BETA 50 RR 2T 2021
25	024.05.000.80.00	BOULON 6.20 RS CH 8 BETA 50 RR 2T 2021
26	11.49070.000	RESSORT DE RAPPEL BETA 50 RR 2T 2021
27	22.81152.000	PIVOT BETA 50 RR 2T 2021
28	25.68010.000	
29	22.90093.000	TAPIS BETA 50 RR 2T 2021

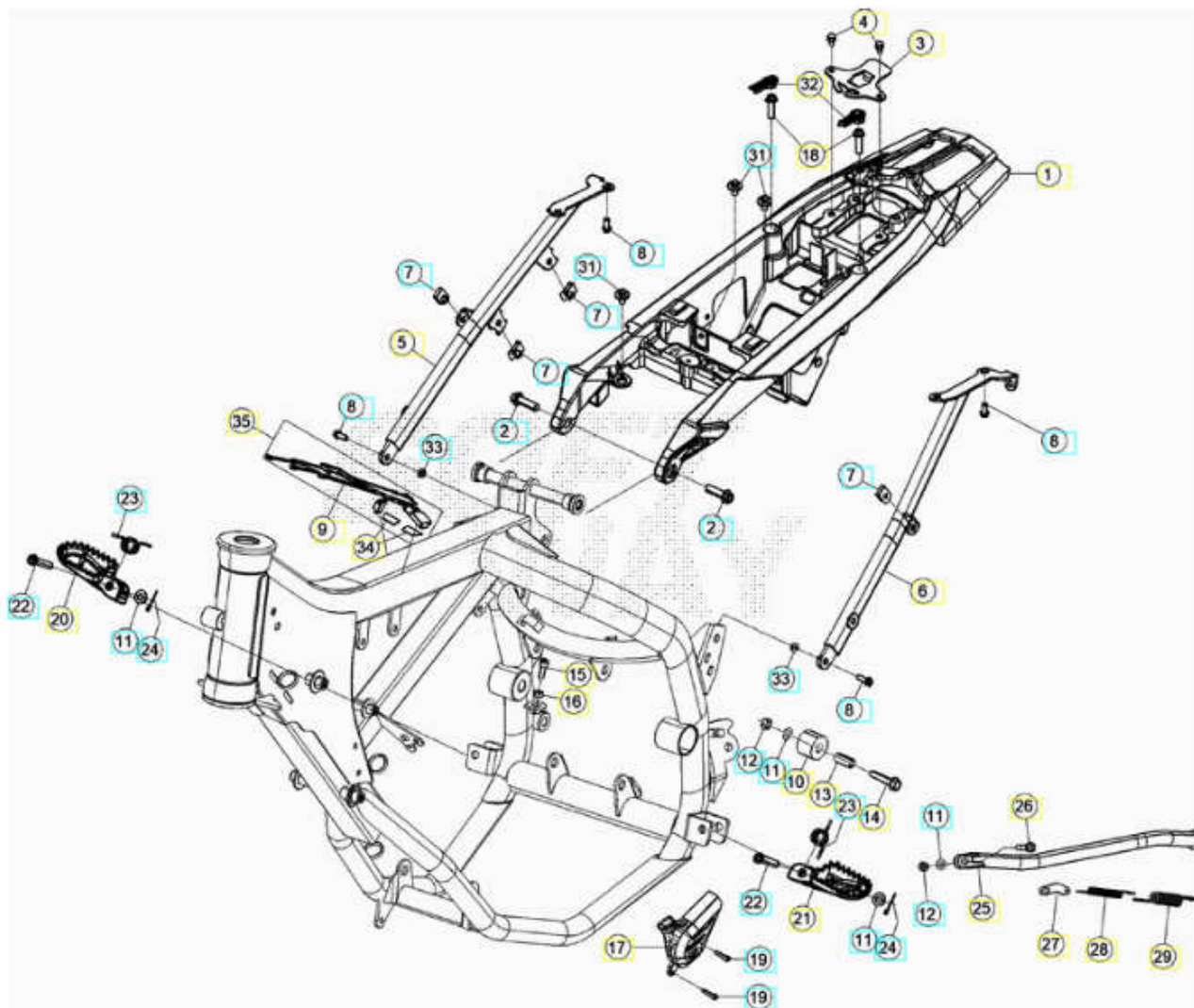


N°	Réf.	Description
1	024.06.000.00.00	ENGRENAGE DEMARRAGE BETA 50 RR 2T 2021
2	046.06.001.00.00	DOUILLE MISE EN ROUTE BETA 50 RR 2T 2021
3	34.00610.000	RESSORT TUBE CULOT BETA 50 RR 2T 2021
4	046.06.003.00.00	BAGUE D_ARRET D18 BETA 50 RR 2T 2021
5	046.06.000.00.00	MOYEU BETA 50 RR 2T 2021
6	046.06.002.00.00	RESSORT BETA 50 RR 2T 2021
7	024.06.001.00.00	ARBRE DE KICK BETA 50 RR 2T 2021
8	34.01460.000	RONDELLE 16X25 EP. 0,4 (49.0651.4) BETA 50 RR 2T 2021

9	34.00790.000	BAGUE OR 12,5X1,5 BETA 50 RR 2T 2021
10	21.55041.000	LEVIER DEMARRAGE REV 50 / BETA 50 RR 2T 2021
11	31.31050.000	VIS A TETE A SIX PANS 6.15 T.C.C.H. BETA 50 RR 2T 2021

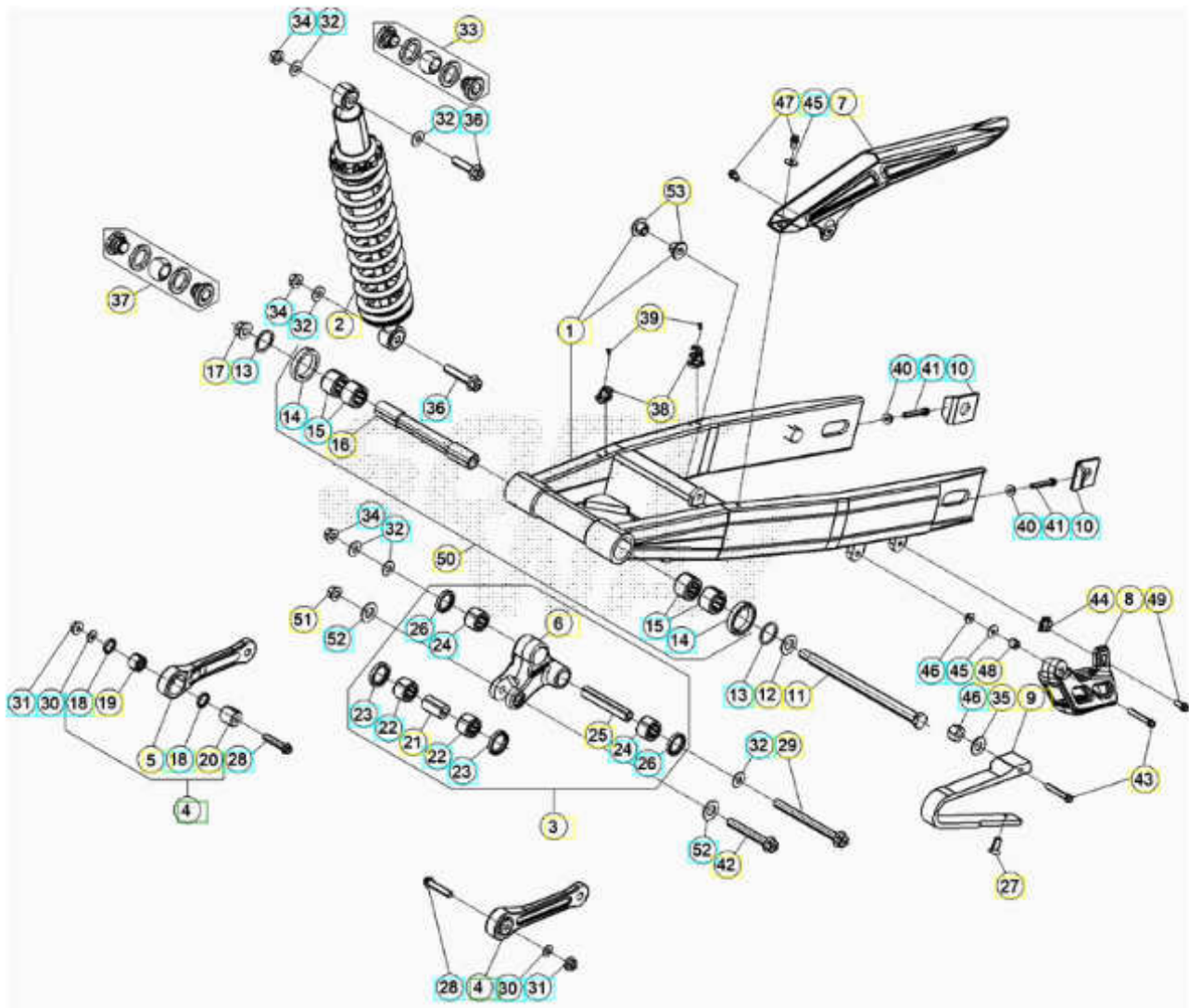


N°	Réf.	Description
1	046.31.001.80.50	CADRE RED BETA 50 RR SPORT 2T 2021
2	12.99300.000	ROULEMENT CONIQUE 25.47.15 BETA 50 RR SPORT 2T 2021
3	27.73790.000	RONDELLE 25,7.32.2 POUR GUIDON SCOOTER BETA 50 RR SPORT 2T 2021
4	25.98781.000	PROTECTION ROULEMENT GUIDON SUPERIEUR BETA 50 RR SPORT 2T 2021
5	25.98751.000	PROTECTION ROULEMENT GUIDON INFERIEUR BETA 50 RR SPORT 2T 2021
6	31.64185.000	VIS TCEI 8.100 BETA 50 RR SPORT 2T 2021
7	27.49500.000	RONDELLE 8.16 BETA 50 RR SPORT 2T 2021
8	13.17010.000	ECROU 8 A BLOCAGE AUTOMATIQUE HAUT BETA 50 RR SPORT 2T 2021
9	11.49070.000	BOULON 6.20 RS CH 8 BETA 50 RR SPORT 2T 2021
10	27.33741.000	RIVET BETA 50 RR SPORT 2T 2021



N°	Réf.	Description
1	043.32.000.87.59	CADRE ARRIERE BLACK BETA 50 RR 2T 2021
2	31.64070.000	VIS AVEC BRIDE 8X25 CH 10 BETA 50 RR 2T 2021
3	021.32.010.00.05	PLAQUE SERRURE BETA 50 RR 2T 2021
4	11.46251.000	BOULON 5.12 RS CH8 BRIDE BETA 50 RR 2T 2021
5	043.32.007.40.26	FIXATION CADRE ARRIERE BLACK BETA 50 RR 2T 2021
6	043.32.001.40.26	FIXATION CADRE ARRIERE BLACK BETA 50 RR 2T 2021
7	25.60311.000	PLAQUETTE VIS M6 BETA 50 RR 2T 2021
8	11.54521.000	BOULON 8.16 RS A/RONDELLE CH.10 BETA 50 RR 2T 2021
9	043.32.015.00.00	TAMPON RESERVOIR BETA 50 RR 2T 2021
10	024.32.016.00.52	PATIN DE CHAINE BETA 50 RR 2T 2021
11	27.49500.000	RONDELLE 8.16 BETA 50 RR 2T 2021
12	13.17020.000	ECROU 8 A BLOCAGE AUTOMATIQUE BAS BETA 50 RR 2T 2021
13	13.46580.000	ENTRETOISE 8.12.17 BETA 50 RR 2T 2021
14	11.55480.000	BOULON 8.40 PF (DIN-6921) ROND.LI BETA 50 RR 2T 2021

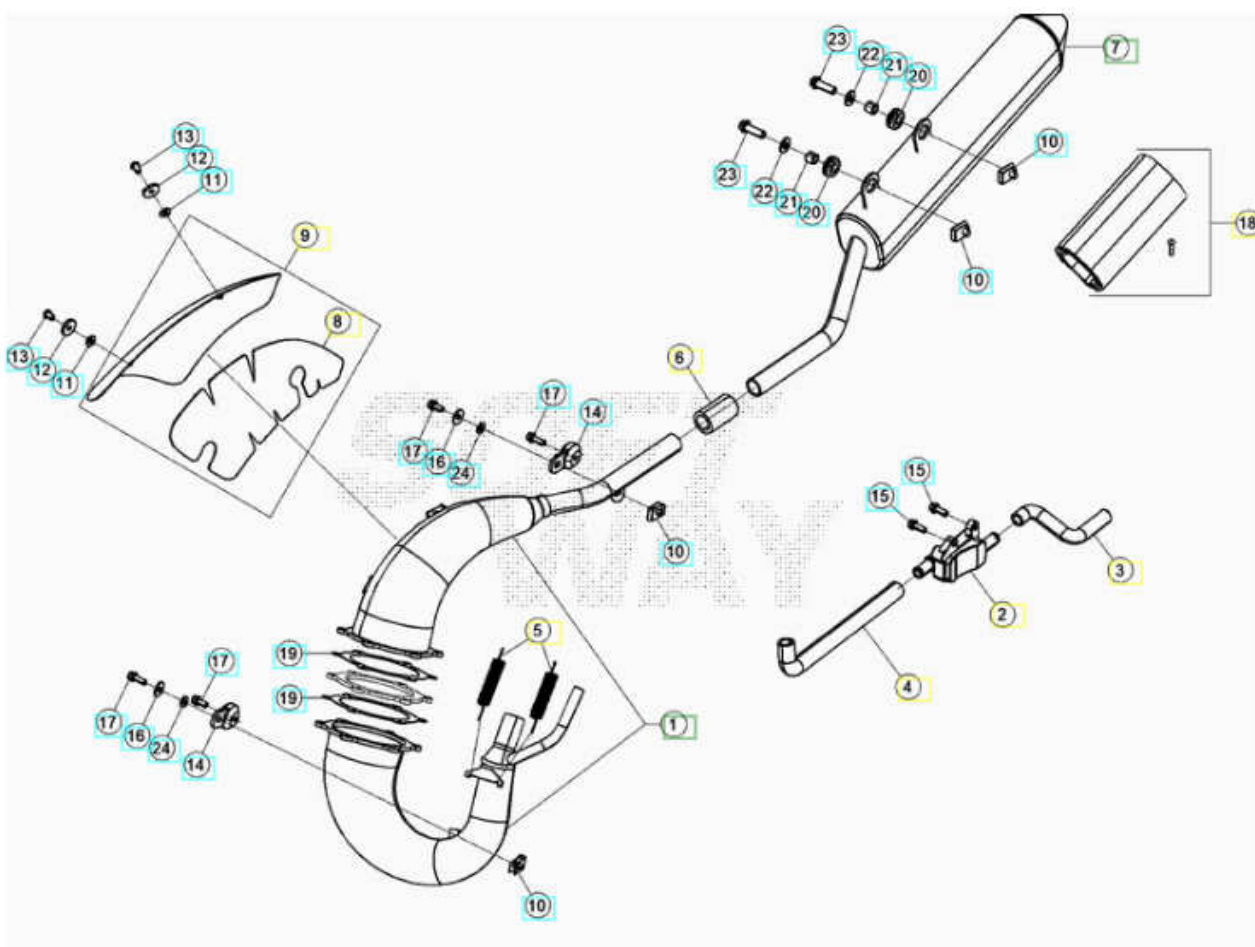
15	11.50300.000	BOULON 6.30 RS CH 8 BETA 50 RR 2T 2021
16	13.13000.000	ECROU 6.6 CH 10 BETA 50 RR 2T 2021
17	024.32.010.10.59	COUVERCLE PIGNON DE CHAINE BETA 50 RR 2T 2021
18	11.55440.000	BOULON 8.30 RS CH 10 BETA 50 RR 2T 2021
19	31.30020.000	VIS 5.25 T.C.C.H.UNI 5931 BETA 50 RR 2T 2021
20	007.32.090.00.00	REPOSE-PIEDS DROITE BETA 50 RR 2T 2021
21	007.32.091.00.00	REPOSE-PIEDS GAUCHE BETA 50 RR 2T 2021
22	25.54466.000	PIVOT REPOSE-PIED BETA 50 RR 2T 2021
23	016.32.020.00.00	RESSORT REPOSE-PIEDS DROIT/GAUCHE BETA 50 RR 2T 2021
24	12.81995.000	GOUPILLE 2.15 INOX BETA 50 RR 2T 2021
25	12.39961.066	BEQUILLE BETA 50 RR 2T 2021
26	11.70021.000	BOULON SPECIAL BEQUILLE BETA 50 RR 2T 2021
27	25.57634.000	PLAQUETTE RESSORTS BEQUILLE BETA 50 RR 2T 2021
28	22.47027.000	RESSORT BEQUILLE INT. BETA 50 RR 2T 2021
29	22.47028.000	RESSORT EXT. BEQUILLE LAT. BETA 50 RR 2T 2021
30	024.37.014.00.00	PLAQUETTE VIS M8 BETA 50 RR 2T 2021
31	037.43.028.00.00	VIS SPECIALE M6X8 BETA 50 RR 2T 2021
32	037.32.027.00.00	TAMPON - KIT BETA 50 RR 2T 2021
33	13.17120.000	ECROU M8 BRIDE CH.13 (MOLETE) BETA 50 RR 2T 2021



N°	Réf.	Description
1	046.33.000.82.00	BRAS OSCILLANT BETA 50 RR SPORT 2T 2021
2	046.33.012.00.59	AMMORTISSEUR BLACK BETA 50 RR SPORT 2T 2021
3	11.20476.800	BALANCIER BETA 50 RR SPORT 2T 2021
4	11.19851.866	BIELLE BETA 50 RR SPORT 2T 2021
5	11.19851.066	BIELLE RACING BETA 50 RR SPORT 2T 2021
6	11.20476.800	BALANCIER RACING BETA 50 RR SPORT 2T 2021
7	12.88591.159	COUVRE-CHAINE SUP. BETA 50 RR SPORT 2T 2021
8	29.10071.000	GOUJON GUIDE DE CHAINE INF. _8 BETA 50 RR SPORT 2T 2021
9	29.10093.052	CHEVILLE G/CHAINE SUP. BETA 50 RR SPORT 2T 2021
10	024.33.020.00.05	TEND. DE CH. BETA 50 RR SPORT 2T 2021
11	25.55730.000	PIVOT BRAS OSCILLANT BETA 50 RR SPORT 2T 2021
12	27.55600.000	RONDELLE 12.24.2,5 BISEAUTEE BETA 50 RR SPORT 2T 2021
13	27.73680.000	RONDELLE DE FOURCHE NYLON 22.35.2 BETA 50 RR SPORT 2T 2021

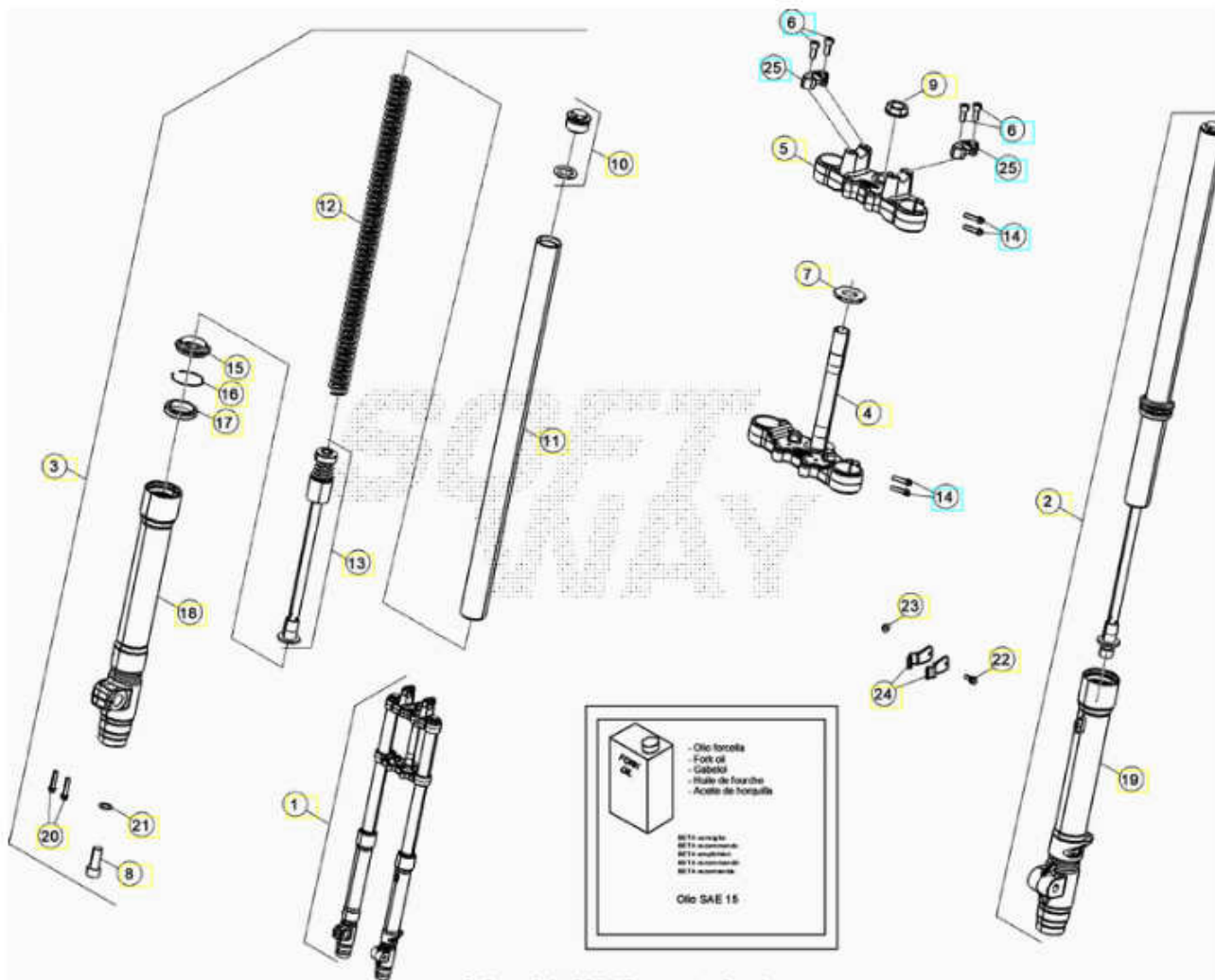
14	10.41197.000	BAGUE POUSSIÈRE 22.28.4 BETA 50 RR SPORT 2T 2021
15	11.22980.000	DOUILLE 22.28.16 BETA 50 RR SPORT 2T 2021
16	13.48082.000	ENTRETOISE 12.22.178 BETA 50 RR SPORT 2T 2021
17	13.21130.000	ECROU M12Z1,25 BETA 50 RR SPORT 2T 2021
18	007.33.010.00.00	CACHE POUSSIÈRE INT. 22X28X4 BETA 50 RR SPORT 2T 2021
19	11.22056.000	BAGUE HK 2212 V BETA 50 RR SPORT 2T 2021
20	032.33.093.00.00	ENTRETOISE 8.22.22,9 BETA 50 RR SPORT 2T 2021
21	13.47610.000	ENTRETOISE 10.20.34 BETA 50 RR SPORT 2T 2021
22	11.22850.000	DOUILLE A ROULEMENTS 20.26.12 BETA 50 RR SPORT 2T 2021
23	10.41195.000	BAGUE POUSSIÈRE 20.26.4 NBR BETA 50 RR SPORT 2T 2021
24	11.22450.000	DOUILLE A ROULEMENTS HK 15.21.16 BETA 50 RR SPORT 2T 2021
25	13.47710.000	ENTRETOISE 10.15.84 BETA 50 RR SPORT 2T 2021
26	10.41190.000	BAGUE POUSSIÈRE 15.213 BETA 50 RR SPORT 2T 2021
27	31.30600.000	VIS 6.16 T.E.P.C.H. BETA 50 RR SPORT 2T 2021
28	11.55510.000	BOULON 8.40 RS CH 10 BETA 50 RR SPORT 2T 2021
29	31.65700.000	VIS M.10.120 TCCH (12.9) BETA 50 RR SPORT 2T 2021
30	27.49500.000	RONDELLE 8.16 BETA 50 RR SPORT 2T 2021
31	13.17020.000	ECROU 8 A BLOCAGE AUTOMATIQUE BAS BETA 50 RR SPORT 2T 2021
32	27.54000.000	RONDELLE 10.21.2 BETA 50 RR SPORT 2T 2021
33	024.33.054.82.00	GROUPE JOINT A ROTULE BETA 50 RR SPORT 2T 2021
34	13.19010.000	ECROU 10 A BLOCAGE AUTOMATIQUE BAS BETA 50 RR SPORT 2T 2021
35	27.40500.000	RONDELLE 6.12.1,6 DIN 125 BETA 50 RR SPORT 2T 2021
36	11.63000.000	BOULON 10.50 PF CH 17 RS BETA 50 RR SPORT 2T 2021
37	024.33.055.82.00	GROUPE JOINT A ROTULE BETA 50 RR SPORT 2T 2021
38	15.14605.000	TIGE PASSE-TUBE FREIN ARR. BETA 50 RR SPORT 2T 2021
39	27.33950.000	RIVET BETA 50 RR SPORT 2T 2021
40	13.15000.000	ECROU 7.7 CH 11 BETA 50 RR SPORT 2T 2021
41	11.50760.000	BOULON 7.40 IF CH 11 RS BETA 50 RR SPORT 2T 2021
42	11.62070.000	BOULON 10.75 1,25(10.9) BETA 50 RR SPORT 2T 2021
43	11.50360.000	BOULON 6.40 RS CLE_ 8 BETA 50 RR SPORT 2T 2021
44	13.48868.000	ENTRETOISE BETA 50 RR SPORT 2T 2021
45	27.42000.000	RONDELLE 6.18 BETA 50 RR SPORT 2T 2021
46	13.13020.000	ECROU A BLOCAGE AUTOMATIQUE 6BAS BETA 50 RR SPORT 2T 2021

		VIS 6.8 T.R.L.C.C.- T.12 Z.B. BETA 50 RR SPORT 2T 2021
47	31.30490.051	ENTRETOISE INF. BETA 50 RR SPORT 2T 2021
48	13.49191.000	BOULON 6.20 RS CH 8 BETA 50 RR SPORT 2T 2021
49	11.49070.000	BRAS OCCILLANT COMPLET BETA 50 RR SPORT 2T 2021
50	046.33.013.80.00	ECROU M10X1,25 BETA 50 RR SPORT 2T 2021
51	13.21050.000	RONDELLE SPECIALE 10.25.3 BETA 50 RR SPORT 2T 2021
52	27.54250.000	
53	024.33.024.00.00	BAGUE BRAS OSCILLANT D.13/D.10 BETA 50 RR SPORT 2T 2021



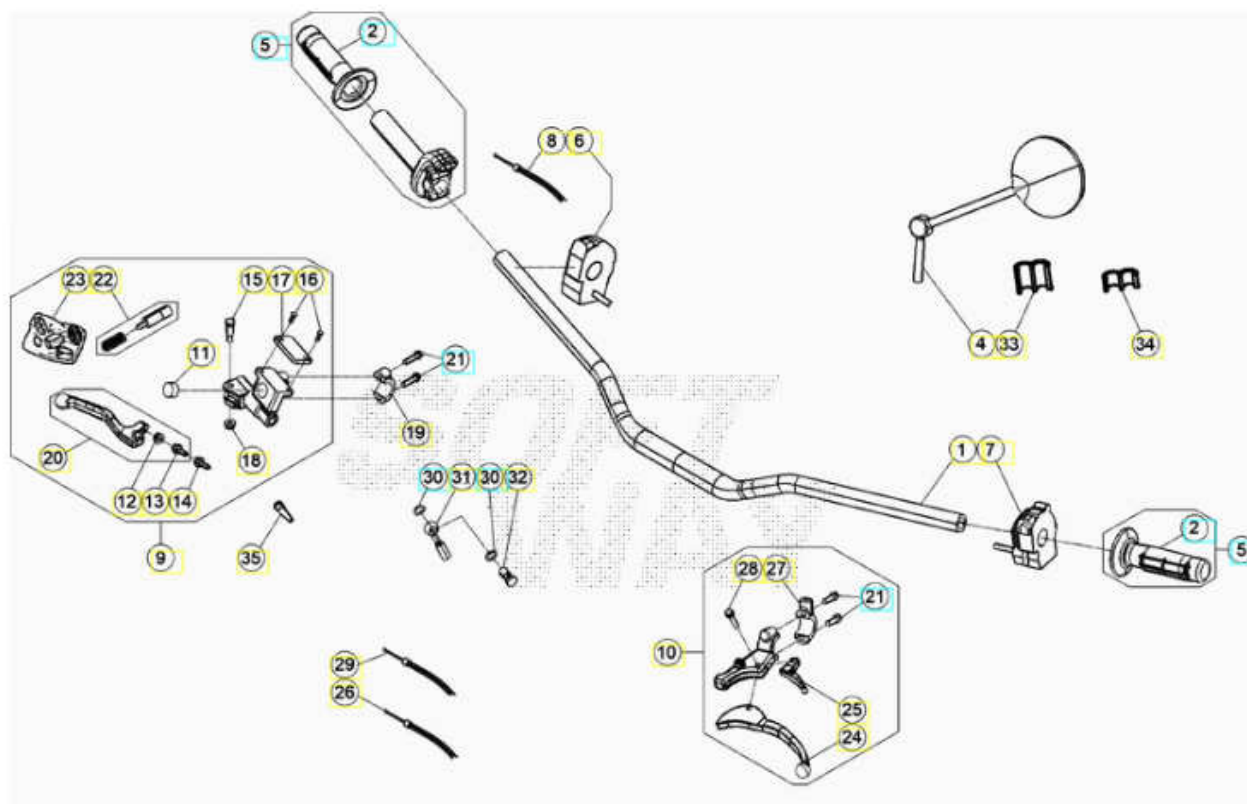
N°	Réf.	Description
1	046.37.000.40.59	POT D_ECHAPPEMENT BLACK BETA 50 RR 2T 2021
		VALVE AIS BETA 50 RR 2T 2021
2	046.37.004.00.00	
		TUYAU D_AIR BETA 50 RR 2T 2021
3	046.37.005.00.00	
		TUYAU VALVE AIS BETA 50 RR 2T 2021
4	046.37.010.00.00	
		RESSORT POT D_ECHAPPEMENT BETA 50 RR 2T 2021
5	22.48980.000	
		MANCHON BETA 50 RR 2T 2021
6	024.37.052.00.00	
		SILENCIEUX BETA 50 RR 2T 2021
7	046.37.006.80.00	
8	024.37.051.00.00	PROTECTION CHALEUR BETA 50 RR 2T 2021

		PROTECTION CHALEUR BETA 50 RR 2T 2021
9	024.37.039.80.59	
10	25.60311.000	PLAQUETTE VIS M6 BETA 50 RR 2T 2021
11	16.47491.000	JOINT PROTECTION TUBE SC (09168-0) BETA 50 RR 2T 2021
12	27.39002.000	RONDELLE 6.14.1,5 BETA 50 RR 2T 2021
13	31.30470.000	VIS 6.14 T.B.C.H. BETA 50 RR 2T 2021
14	28.91943.000	SILENT-BLOCK POT D_ECHAPPEMENT BETA 50 RR 2T 2021
15	11.47015.000	BOULON 6.12 RS CLE_ 8 BETA 50 RR 2T 2021
16	27.42000.000	RONDELLE 6.18 BETA 50 RR 2T 2021
17	11.49070.000	BOULON 6.20 RS CH 8 BETA 50 RR 2T 2021
18	024.37.007.82.00	LAIN DE ROCHE SILENCIEUX - KIT BETA 50 RR 2T 2021
19	046.37.019.12.00	JOINT BRIDE BETA 50 RR 2T 2021
20	28.92101.000	SILENT-BLOCK BETA 50 RR 2T 2021
21	046.37.008.00.00	ENTRETOISE BETA 50 RR 2T 2021
22	27.43250.000	RONDELLE 6.24 BETA 50 RR 2T 2021
23	11.50300.000	BOULON 6.30 RS CH 8 BETA 50 RR 2T 2021
24	16.47490.000	JOINT ISOLANTE 5,.8.20.3 BETA 50 RR 2T 2021



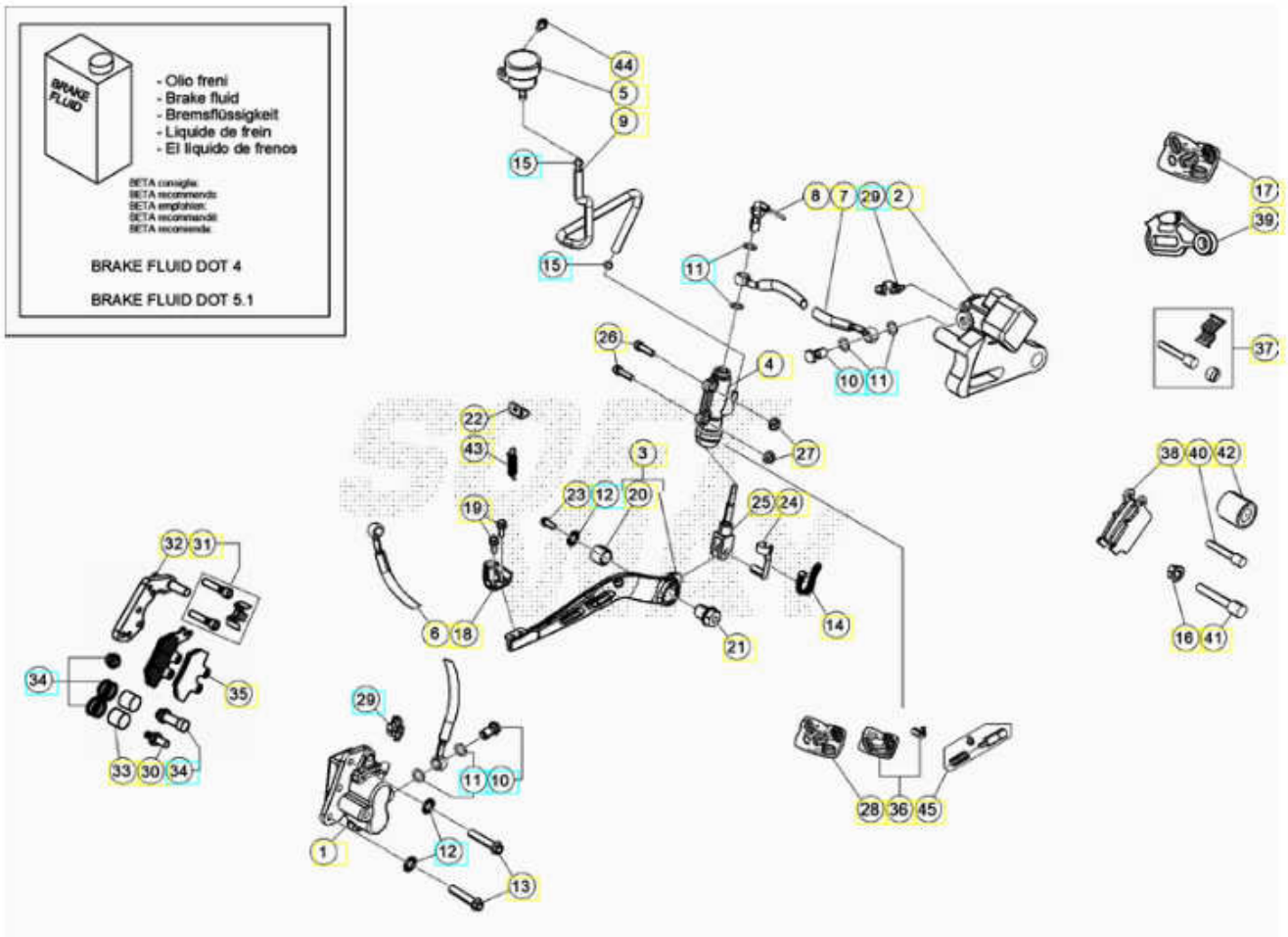
N°	Réf.	Description
1	046.34.000.80.59	FOURCHE COMPLETE D40 BLACK BETA 50 RR SPORT 2T 2021
2	024.34.051.80.52	FOURCHE D.40 RSU BETA 50 RR SPORT 2T 2021
3	024.34.052.80.52	FOURCHE D.40 RSU BETA 50 RR SPORT 2T 2021
4	046.34.001.80.00	TE DE FOURCHE INF. BETA 50 RR SPORT 2T 2021
5	024.34.010.00.57	TETE DE DIRECTION BETA 50 RR SPORT 2T 2021
6	31.64000.000	VIS M8.35 BETA 50 RR SPORT 2T 2021
7	024.34.033.00.00	DOILLE REGLAGE FOURCHE BETA 50 RR SPORT 2T 2021
8	31.80300.000	VIS M14 X 125 BETA 50 RR SPORT 2T 2021
9	024.34.040.00.00	ECROU COLONNE BETA 50 RR SPORT 2T 2021
10	024.34.057.80.00	BOUCHON AVEC BAGUE FOURCHE BETA 50 RR SPORT 2T 2021
11	024.34.058.00.00	TUBE COMPL. FOURCHE D.40 BETA 50 RR SPORT 2T 2021
12	024.34.059.00.00	RESSORT FOURCHE D.40 BETA 50 RR SPORT 2T 2021
13	024.34.056.80.00	CARTOUCHE AMORT. BETA 50 RR SPORT 2T 2021
14	11.50010.000	OULON 6.25 RS CH 8 BETA 50 RR SPORT 2T 2021
15	10.41485.000	BAGUE DE FOURCHE D.40 BETA 50 RR SPORT 2T 2021

		BAGUE POUR JOINT SPY BETA 50 RR SPORT 2T 2021
16	10.41486.000	
17	10.41487.000	BAGUE D_ETANCHEITE 40X52,2X10,10,5 BETA 50 RR SPORT 2T 2021
		PROTECTION DROIT BETA 50 RR SPORT 2T 2021
18	024.34.054.00.52	
		PROTECTION GAUCHE BETA 50 RR SPORT 2T 2021
19	024.34.053.00.52	
		BOULON 6.30 RS CH 8 BETA 50 RR SPORT 2T 2021
20	11.50300.000	
		RONDELLE 14,5 X 21 X 1,5 BETA 50 RR SPORT 2T 2021
21	27.56210.000	
		BOULON 6.20 RS CH 8 BETA 50 RR SPORT 2T 2021
22	11.49070.000	
		ECROU M6.5 BRIDE BETA 50 RR SPORT 2T 2021
23	13.12550.000	
		PLAQUETTE FIX.TUBE FR.AV. BETA 50 RR SPORT 2T 2021
24	25.59626.000	
25	024.34.012.00.57	ETRIER BETA 50 RR SPORT 2T 2021



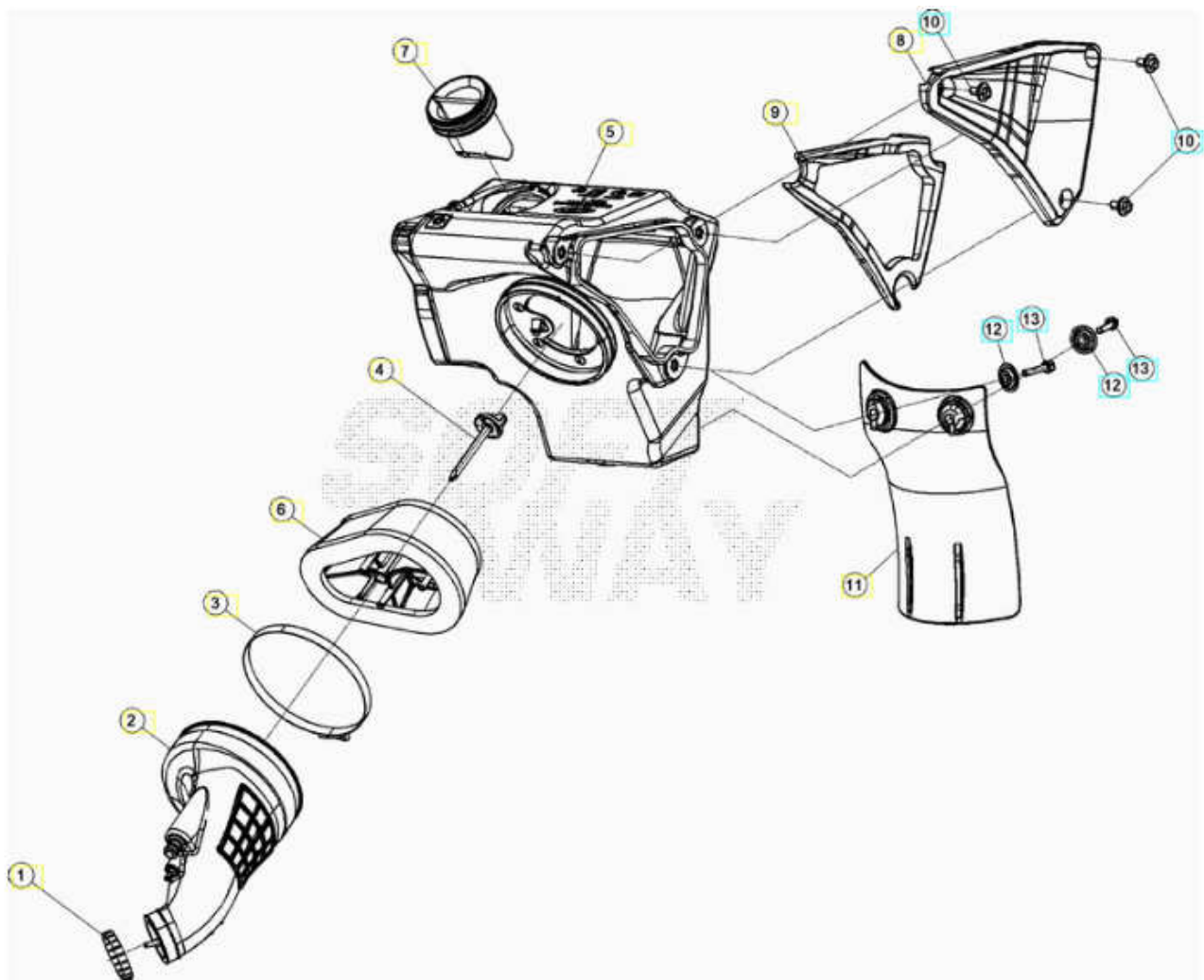
N°	Réf.	Description
1	014.35.050.00.59	GUIDON BETA 50 RR SPORT 2T 2021
2	024.35.030.80.00	POIGNEES (COUPLE) BETA 50 RR SPORT 2T 2021
4	28.92925.000	RETROVISEUR GAUCHE BETA 50 RR SPORT 2T 2021
5	032.35.027.82.00	COMMANDE GAS A/POIGNEE BETA 50 RR SPORT 2T 2021
6	024.40.040.00.00	DISPOSITIF ON-OFF BETA 50 RR SPORT 2T 2021
7	024.40.052.00.00	COMMODO BETA 50 RR SPORT 2T 2021
8	024.35.001.00.00	CABLE GAS BETA 50 RR SPORT 2T 2021
9	21.02067.009	LEVIER COM.FREIN AVANT BETA 50 RR SPORT 2T 2021
10	21.02394.000	LEVIER COMPLET EMBRAYAGE BETA 50 RR SPORT 2T 2021
11	29.10281.000	BOUCHON NIVEAU HUILE BETA 50 RR SPORT 2T 2021

		ECROU 6X4 CH 10 BETA 50 RR SPORT 2T 2021
12	13.11510.000	
		PIECE DE PRESSION BETA 50 RR SPORT 2T 2021
13	25.41877.000	
		PIVOT ANCRAGE ETRIER 21.02067.000 BETA 50 RR SPORT 2T 2021
14	25.41858.000	
		VIS BETA 50 RR SPORT 2T 2021
15	024.36.014.00.00	
		VIS M4X12 FIXAGE COUVERCLE BETA 50 RR SPORT 2T 2021
16	31.96810.000	
		COUVERCLE POMPE FREIN AVANT BETA 50 RR SPORT 2T 2021
17	12.55916.000	
18	31.11510.000	ECORU BETA 50 RR SPORT 2T 2021
		CAPUCHON LEVIER FREIN BETA 50 RR SPORT 2T 2021
19	12.30105.000	
		LEVIER FR.AV.NUE X 2102067 009 BETA 50 RR SPORT 2T 2021
20	21.27108.000	
		VIS SPECIALE TCBEI M6X25 BETA 50 RR SPORT 2T 2021
21	31.96808.000	
		JEU PETIT PISTON LEVIER 21.02059 BETA 50 RR SPORT 2T 2021
22	20.05064.000	
		KIT PCES PR MAITRE CYCLINDRE 21.02059/67 BETA 50 RR SPORT 2T 2021
23	20.08274.000	
		LEVIER COMPLET EMBRAYAGE BETA 50 RR SPORT 2T 2021
24	21.27086.000	
		LEVIER COMMANDE STARTER 21.02394.000 BETA 50 RR SPORT 2T 2021
25	21.70147.000	
		CABLE EMRAYAGE BETA 50 RR SPORT 2T 2021
26	29.14763.000	
		COLLIER FIXAGE LEVIER EMBRAYAGE BETA 50 RR SPORT 2T 2021
27	12.55005.000	
		VIS SPEC. FIXAGE LEVIER EMBRAYAGE BETA 50 RR SPORT 2T 2021
28	31.80110.000	
		TRANSMISSION STARTER BETA 50 RR SPORT 2T 2021
29	29.12781.000	
		JOINT 10.15.1 CUIVRE BETA 50 RR SPORT 2T 2021
30	16.50510.000	
		TUYAU DE FREIN BETA 50 RR SPORT 2T 2021
31	046.36.003.00.00	
		BOULON PERFORE 10.1 X TUBE FREIN BETA 50 RR SPORT 2T 2021
32	11.65040.000	
		PASSE-CABLE DOUBLE TYPE 6/8 BETA 50 RR SPORT 2T 2021
33	25.24442.000	
		PASSE-CABLE DOUBLE TYPE 6/6 BETA 50 RR SPORT 2T 2021
34	25.24443.000	
35	18.87010.000	INTERR.TEUR STOP 21.02423/21.02429 BETA 50 RR SPORT 2T 2021

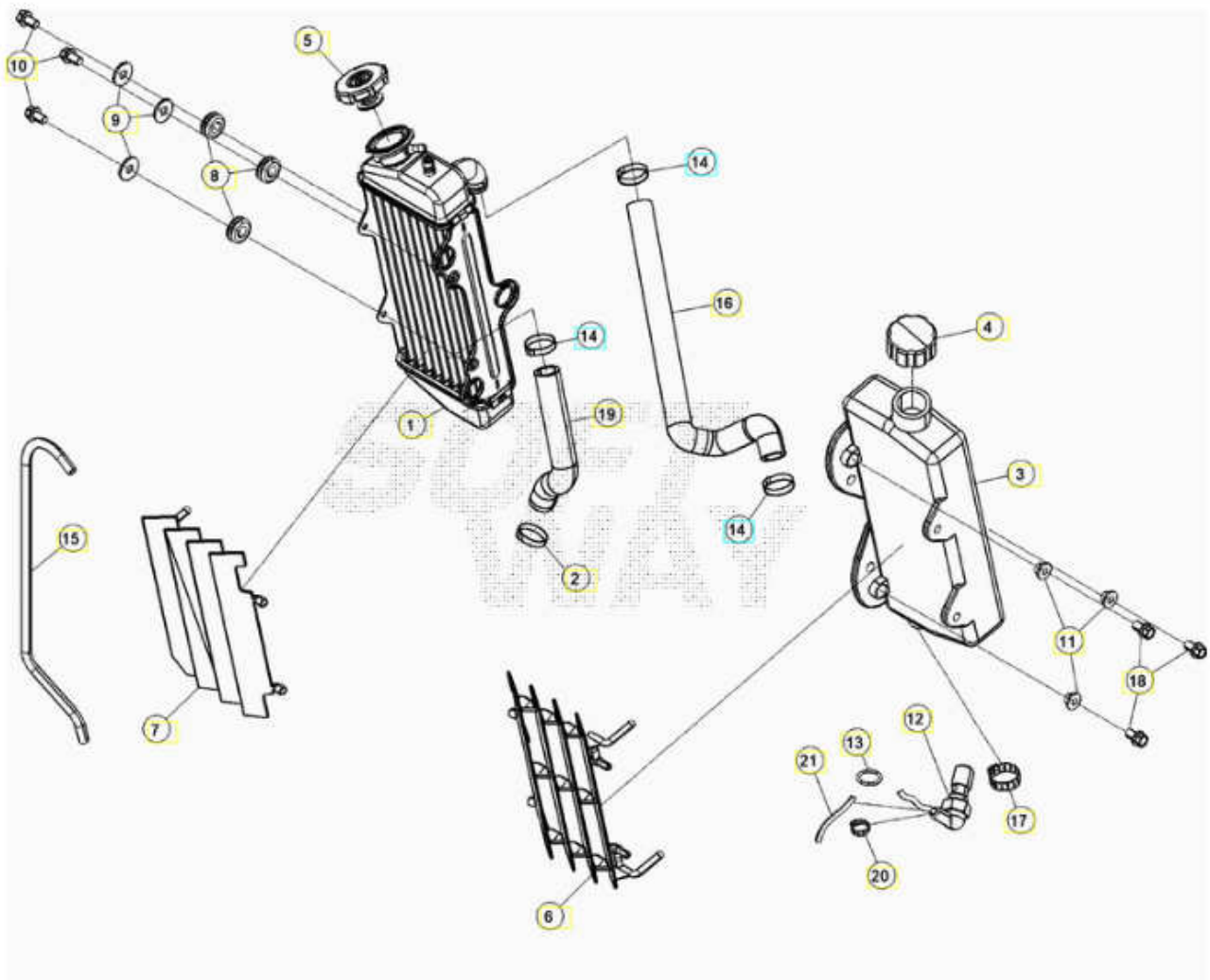


N°	Réf.	Description
1	25.03087.009	ETRIER DE FREIN AVANT BETA 50 RR SPORT 2T 2021
2	25.03073.009	PINCE FREIN ARR. BETA 50 RR SPORT 2T 2021
3	024.36.001.80.00	PEDALE FREIN COMPLET BETA 50 RR SPORT 2T 2021
4	25.91177.009	POMPE FREIN ARRIERE BETA 50 RR SPORT 2T 2021
5	28.05100.000	RESERVOIR HUILE FREINS BETA 50 RR SPORT 2T 2021
6	046.36.003.00.00	TUYAU DE FREIN BETA 50 RR SPORT 2T 2021
7	024.36.003.00.00	TUBE FREIN ARR. BETA 50 RR SPORT 2T 2021
8	18.89622.000	INTERR. STOP PRES. 90oM10X1 BETA 50 RR SPORT 2T 2021
9	024.36.007.00.00	TUYAU RESERVOIR-POMPE BETA 50 RR SPORT 2T 2021
10	11.65040.000	BOULON PERFORE 10.1 X TUBE FREIN BETA 50 RR SPORT 2T 2021
11	16.50510.000	JOINT 10.15.1 CUIVRE BETA 50 RR SPORT 2T 2021
12	27.56055.000	RONDELLE 8.13 MOLETEE BETA 50 RR SPORT 2T 2021
13	11.55470.000	BOULON 8.35 PF CH 13 RS BETA 50 RR SPORT 2T 2021
14	15.13020.000	COLLIER EN PLASTIQUE NOIR L.100 BETA 50 RR SPORT 2T 2021
15	C07.16.004.00.00	COLLIER 11,3 BETA 50 RR SPORT 2T 2021
16	13.17120.000	ECROU M8 BRIDE CH.13 (MOLETE) BETA 50 RR SPORT 2T 2021
17	20.08272.000	JEU PIECES PINCE FREIN 25.03067/73 BETA 50 RR SPORT 2T 2021

		MOYEU A/REPOSE-PIED BETA 50 RR SPORT 2T 2021
18	22.90053.000	
19	11.46251.000	BOULON 5.12 RS CH8 BRIDE BETA 50 RR SPORT 2T 2021
20	11.31031.000	DOUILLE FRITTE 14.18.15 BETA 50 RR SPORT 2T 2021
21	024.36.002.00.05	DOUILLE BETA 50 RR SPORT 2T 2021
22	25.57912.000	PLAQUETTE FIX. LEVIER PEDAL FREIN BETA 50 RR SPORT 2T 2021
23	11.55440.000	BOULON 8.30 RS CH 10 BETA 50 RR SPORT 2T 2021
24	28.93130.000	CHASSIS BLOCAGE TIGE FREIN BETA 50 RR SPORT 2T 2021
25	10.84040.000	TIGE DE COMMANDE POMPE FREIN ARRIERE BETA 50 RR SPORT 2T 2021
26	11.49070.000	BOULON 6.20 RS CH 8 BETA 50 RR SPORT 2T 2021
27	13.12550.000	ECROU M6.5 BRIDE BETA 50 RR SPORT 2T 2021
28	20.02707.000	JEU JOINT POUR POMPE IDR. ARRIERE 25 BETA 50 RR SPORT 2T 2021
29	31.96801.000	VIS POUR PINCE 25.03049/73/80/87 BETA 50 RR SPORT 2T 2021
30	25.41854.000	PIVOT ANCRAGE ETRIER 25.03049/67/73/87 BETA 50 RR SPORT 2T 2021
31	20.08271.000	JEU PIECES 25.03087 BETA 50 RR SPORT 2T 2021
32	28.98119.000	SUPPORT PINCE FREIN 25.03087 BETA 50 RR SPORT 2T 2021
33	25.69444.000	PISTON D.25 ETRIER 25.03087 BETA 50 RR SPORT 2T 2021
34	20.08269.000	JEU PIECES PINCE FREIN 25.03087 BETA 50 RR SPORT 2T 2021
35	25.25340.000	PASTILLES PINCE 25.03085 BETA 50 RR SPORT 2T 2021
36	20.08268.000	JEU PIECES POMPE FREIN 25.91186 BETA 50 RR SPORT 2T 2021
37	20.08273.000	JEU PIECES PINCE 25.03073/67 BETA 50 RR SPORT 2T 2021
38	25.25345.000	PASTILLES PINCE 25.03067/73 BETA 50 RR SPORT 2T 2021
39	28.98121.000	SUPPORT ETRIER FREIN 25.03073 BETA 50 RR SPORT 2T 2021
40	25.41854.000	PIVOT ANCRAGE ETRIER 25.03049/67/73/87 BETA 50 RR SPORT 2T 2021
41	25.41856.000	PIVOT ANCRAGE ETRIER 25.03067/73 BETA 50 RR SPORT 2T 2021
42	25.69459.000	PETIT PISTON D.30 POUR PINCE 25.03067/73 BETA 50 RR SPORT 2T 2021
43	22.48810.000	RESSORT DE RETOUR PEDALE FREIN BETA 50 RR SPORT 2T 2021
44	11.46501.000	BOULON 6.10 RS CLE_ 8 BETA 50 RR SPORT 2T 2021
45	25.69456.000	PETIT PISTON COMPL.POMPE 2591175/2591186 BETA 50 RR SPORT 2T 2021

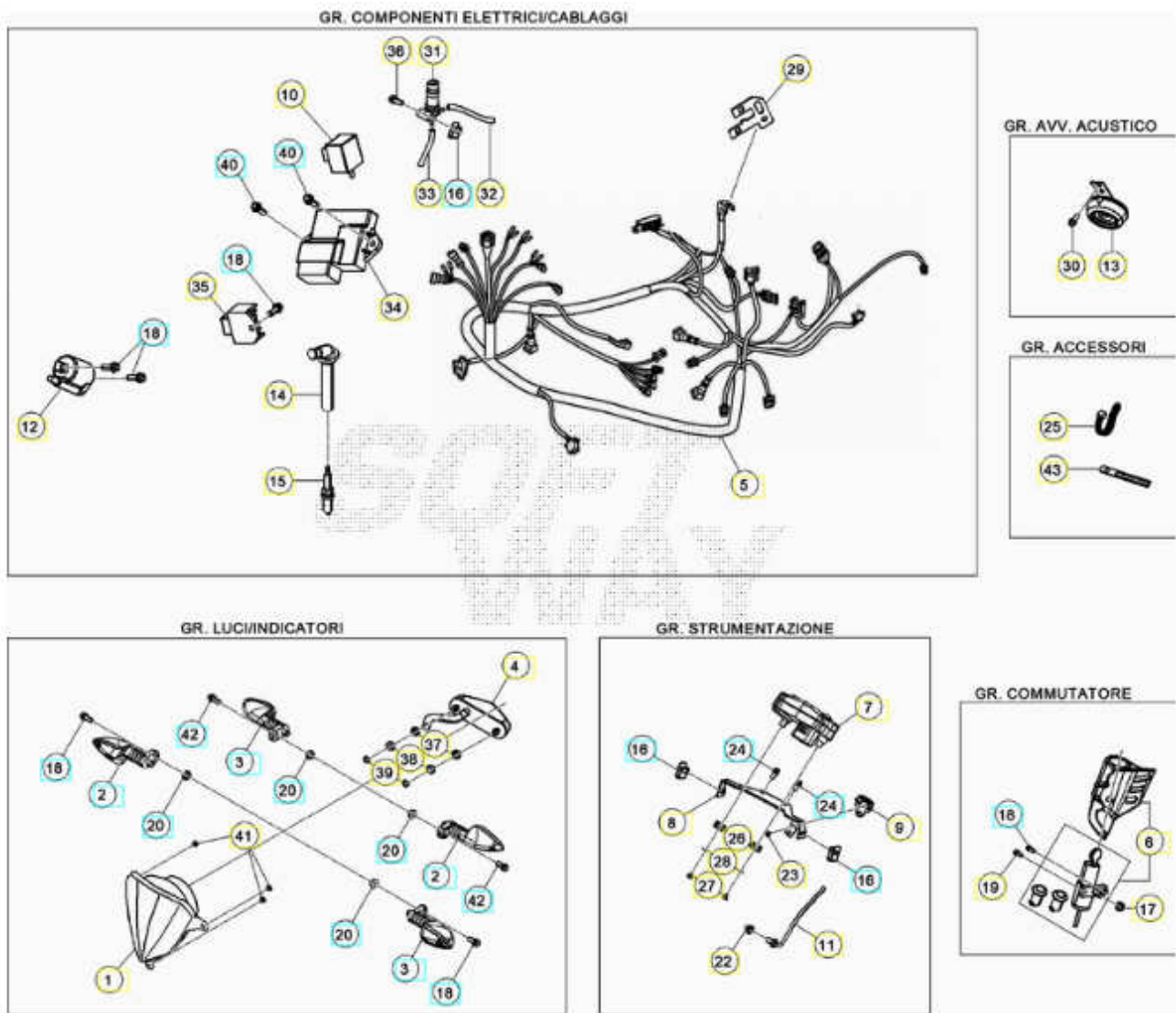


N°	Réf.	Description
1	15.15360.000	COLLIER 25/45 BETA 50 RR 2T 2021
2	046.38.000.00.59	MANCHON BOITE FILTRE BLACK BETA 50 RR 2T 2021
3	35.33820.000	COLLIER BETA 50 RR 2T 2021
4	046.38.013.80.53	PIVOT RED BETA 50 RR 2T 2021
5	046.38.010.80.59	BOITIER FILTRE BLACK BETA 50 RR 2T 2021
6	043.38.010.82.00	FILTRE AIR - KIT BETA 50 RR 2T 2021
7	043.38.020.00.59	PRISE D_AIR BLACK BETA 50 RR 2T 2021
8	043.43.009.00.59	COUVERCLE BOITIER FILTRE BLACK BETA 50 RR 2T 2021
9	043.43.018.00.00	JOINT COUVERCLE BETA 50 RR 2T 2021
10	037.43.028.00.00	VIS SPECIALE M6X8 BETA 50 RR 2T 2021
11	036.38.009.10.59	PROTECTION AMMORTISSEUR BETA 50 RR 2T 2021
12	27.74786.000	RONDELLE BETA 50 RR 2T 2021
13	31.79960.000	VIS PLASTIQUE 6X15 BETA 50 RR 2T 2021



N°	Réf.	Description
1	27.23744.059	RADIATEUR DROIT BETA 50 RR 2T 2021
2	C07.16.009.00.00	COLLIER D23 BETA 50 RR 2T 2021
3	046.43.006.00.59	RESERVOIR HUILE BLACK BETA 50 RR 2T 2021
4	29.00550.000	BOUCHON RESERVOIR HUILE BETA 50 RR 2T 2021
5	29.01260.000	BOUCHON RADIATEUR BETA 50 RR 2T 2021
6	16.45533.059	GRILLE RADIATEUR GAUCHE BETA 50 RR 2T 2021
7	021.39.010.10.59	GRILLE RADIATEUR DROIT VEM125 BETA 50 RR 2T 2021
8	28.92101.000	SILENT-BLOCK BETA 50 RR 2T 2021
9	27.43250.000	RONDELLE 6.24 BETA 50 RR 2T 2021
10	11.47015.000	BOULON 6.12 RS CLE_ 8 BETA 50 RR 2T 2021
11	024.43.011.00.00	ENTRETOISE BETA 50 RR 2T 2021
12	024.40.051.00.00	SONDE BETA 50 RR 2T 2021
13	10.52000.000	BAGUE OR 14.1,78 (2056) BETA 50 RR 2T 2021
14	020.39.008.00.00	COLLIER 24 BETA 50 RR 2T 2021
15	024.39.003.00.00	TUYAU VIDANGE RADIATEUR BETA 50 RR 2T 2021
16	29.15698.000	TUBE RAD. SUP. BETA 50 RR 2T 2021

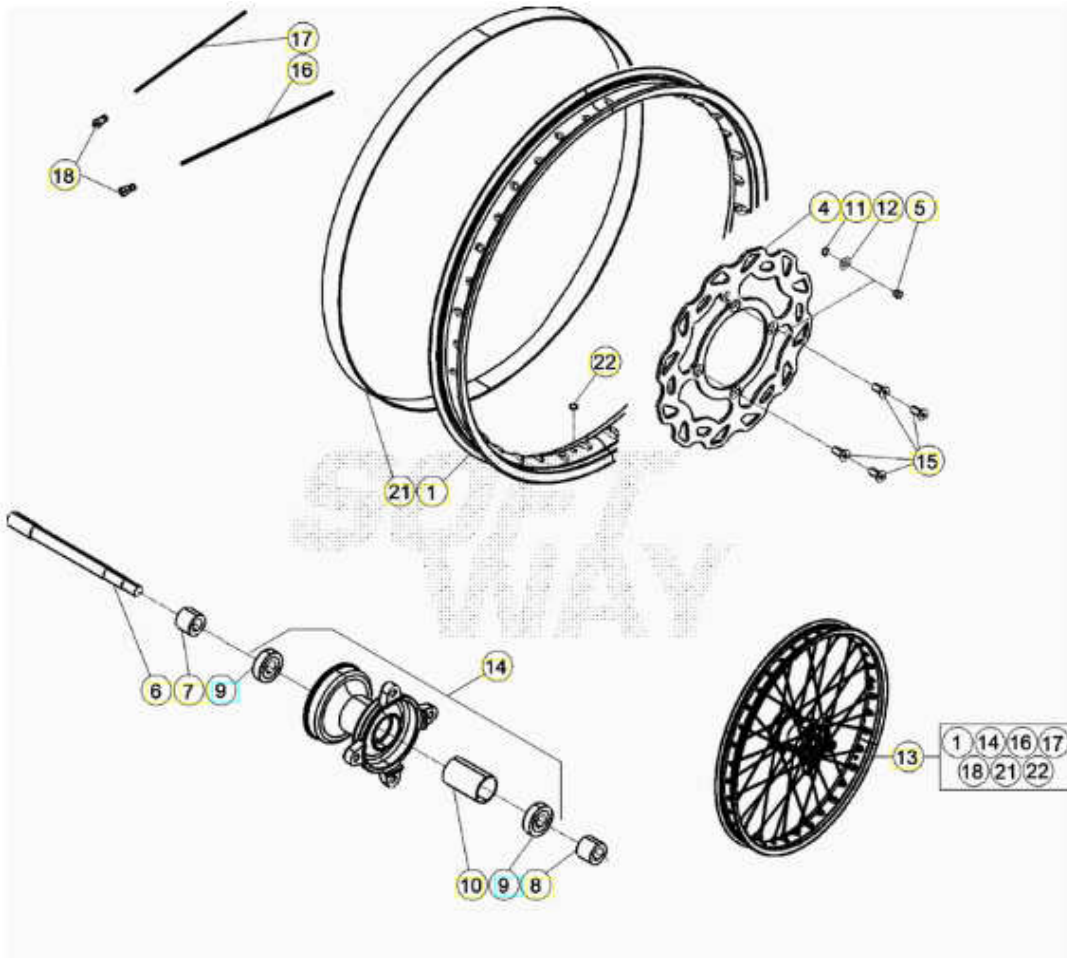
		COLLIER 16/27 BETA 50 RR 2T 2021
17	15.15240.000	BOULON 6.16 RS CH 8 BETA 50 RR 2T 2021
18	11.48025.000	TUBE RADIATEUR INF. BETA 50 RR 2T 2021
19	024.39.001.00.00	COLLIER D.8 NOIRE (4900499000) BETA 50 RR 2T 2021
20	34.02170.000	"TUBE ""CURVE40GR"" (15.0769.0) BETA 50 RR 2T 2021
21	34.01240.000	



N°	Réf.	Description
1	16.46210.000	GRUPE OPTIQUE _08 BETA 50 RR 2T 2021
2	020.40.060.00.00	CLIGNOTANT ADX -PSX BETA 50 RR 2T 2021
3	020.40.061.00.00	CLIGNOTANT ASX-PDX BETA 50 RR 2T 2021
4	037.40.063.00.00	FEUX ARRIERE BETA 50 RR 2T 2021
5	046.40.000.80.00	FAISCEAU ELECTRIQUE PRINCIPAL BETA 50 RR 2T 2021
6	043.40.010.00.00	COMMUTATEUR BETA 50 RR 2T 2021
7	024.40.025.00.00	COMPTEUR DIGITALE BETA 50 RR 2T 2021

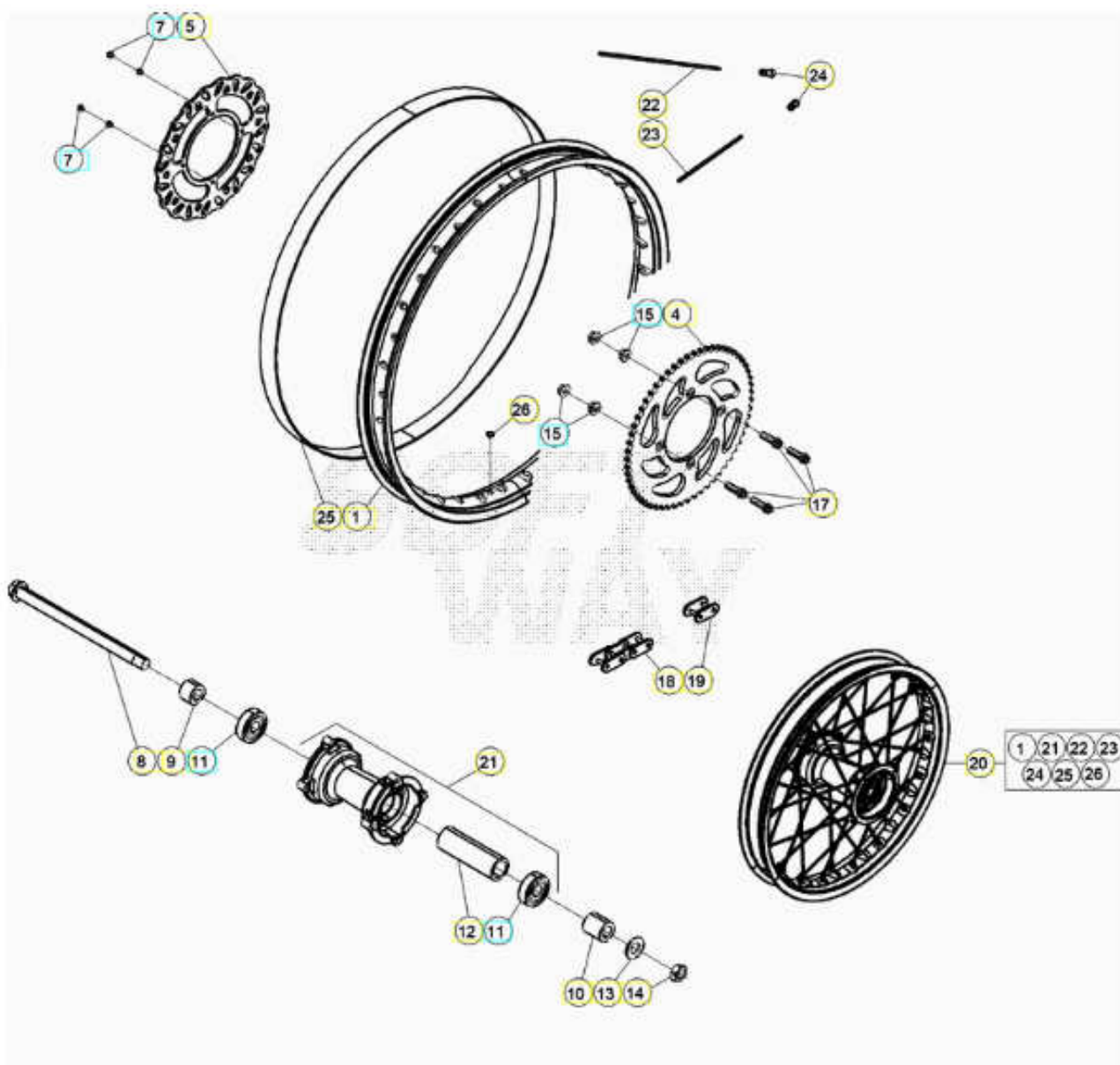
		SUPPORT TABLEAU DE BORD BLACK BETA 50 RR 2T 2021
8	046.40.002.40.26	
9	25.24464.000	PASSE-CABLE BETA 50 RR 2T 2021
10	18.84948.000	INTERMITTENCE BETA 50 RR 2T 2021
11	031.40.166.00.00	CAPTEUR REED BETA 50 RR 2T 2021
12	021.40.051.00.00	BOBINE BETA 50 RR 2T 2021
13	007.40.050.00.00	CLACSON BETA 50 RR 2T 2021
14	27.13557.000	RACCORD BLINDE BOUGIE BETA 50 RR 2T 2021
15	046.11.001.00.00	BOUGIE BETA 50 RR 2T 2021
16	25.60311.000	PLAQUETTE VIS M6 BETA 50 RR 2T 2021
17	16.38100.000	CAOUTCHOUC COMMUTATEUR BETA 50 RR 2T 2021
18	11.48025.000	BOULON 6.16 RS CH 8 BETA 50 RR 2T 2021
19	31.30590.000	VIS A FENTE 6.14 BETA 50 RR 2T 2021
20	13.12550.000	ECROU M6.5 BRIDE BETA 50 RR 2T 2021
21	043.43.031.00.59	PROTECTION BETA 50 RR 2T 2021
22	13.17121.000	ECROU M8 BRIDE CH.10 L BETA 50 RR 2T 2021
23	31.23566.000	VIS 4,5.9 - SCREWPLAST BETA 50 RR 2T 2021
24	11.47015.000	BOULON 6.12 RS CLE_ 8 BETA 50 RR 2T 2021
25	037.40.026.00.00	COLLIER BETA 50 RR 2T 2021
26	024.40.039.00.00	SILENT BLOCK BETA 50 RR 2T 2021
27	31.73000.000	VIS SPEC. 4.8 TC 8 VOLAN BETA 50 RR 2T 2021
28	27.34800.000	RONDELLE DECOUPE 4.16 BETA 50 RR 2T 2021
29	043.40.014.50.00	ETRIER CABLE ELECTRIQUE BETA 50 RR 2T 2021
30	11.46501.000	BOULON 6.10 RS CLE_ 8 BETA 50 RR 2T 2021
31	024.40.045.80.00	SOUPAPE BETA 50 RR 2T 2021
32	024.40.047.82.00	TUYAU BETA 50 RR 2T 2021
33	024.40.048.82.00	TUYAU BETA 50 RR 2T 2021
34	046.40.001.00.00	CDI BETA 50 RR 2T 2021
35	27.28094.000	REGULATEUR BETA 50 RR 2T 2021
36	11.50300.000	BOULON 6.30 RS CH 8 BETA 50 RR 2T 2021
37	16.34903.000	CAOUTCHOUC INSTRUMENT BETA 50 RR 2T 2021
38	043.40.015.00.00	ENTRETOISE BETA 50 RR 2T 2021
39	13.10910.000	ECROU 4. A BLOCAGE AUTOMATIQUE BETA 50 RR 2T 2021

40	11.49070.000	BOULON 6.20 RS CH 8 BETA 50 RR 2T 2021
41	31.23580.000	VIS 4,8.13 AUTOTARADEUSE T.M.R.C.C. BETA 50 RR 2T 2021
42	11.50010.000	BOUTON 6.25 RS CH 8 BETA 50 RR 2T 2021
43	032.35.049.00.00	COLLIER BETA 50 RR 2T 2021



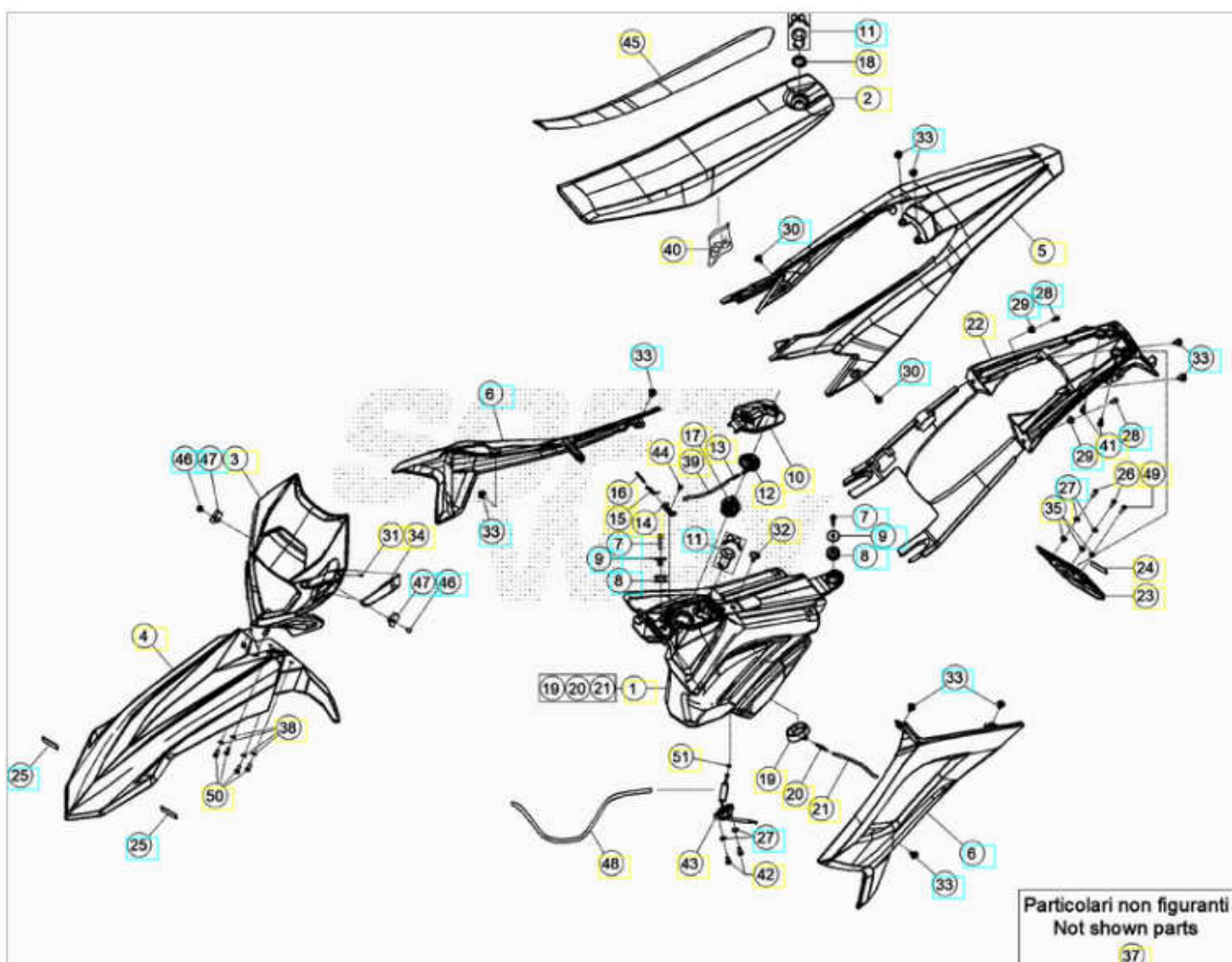
N°	Réf.	Description
1	021.41.010.00.59	JANTE-50 21.1,6-36 TROUS BETA 50 RR SPORT 2T 2021
4	024.41.001.00.00	EMETTEUR BETA 50 RR SPORT 2T 2021
5	021.41.005.00.00	PIVOT ROUE AV. BETA 50 RR SPORT 2T 2021
6	014.41.100.00.00	ENTRETOISE DROIT MOYEU AV. BETA 50 RR SPORT 2T 2021
7	014.41.022.00.00	ENTRETOISE GAUCHE MOYEU AV. BETA 50 RR SPORT 2T 2021
8	014.41.021.00.00	ROULEMENT 17.40.12 BETA 50 RR SPORT 2T 2021
9	12.96005.000	ENTRETOISE INT. MOYEU AV. BETA 50 RR SPORT 2T 2021
10	13.62728.000	SEEGER 9E BETA 50 RR SPORT 2T 2021
11	28.22660.000	RONDELLE EPAISSEUR 9 . 13 . 0,4 BETA 50 RR SPORT 2T 2021
12	27.58080.000	ROUE AVANT BETA 50 RR SPORT 2T 2021
13	024.41.205.00.59	MOYEU AVANT ROUL ET ENTRET.INT BETA 50 RR SPORT 2T 2021
14	014.41.104.00.00	

		VIS TSPCE 8.16 10.9 DACROMET BETA 50 RR SPORT 2T 2021
15	C24.46.014.50.00	RAYON 3.240 BETA 50 RR SPORT 2T 2021
16	024.41.002.00.59	RAYON 3.238 BETA 50 RR SPORT 2T 2021
17	024.41.003.00.59	NIPPLES D.3 BETA 50 RR SPORT 2T 2021
18	23.10100.000	FLAP 21.25 BETA 50 RR SPORT 2T 2021
21	15.38200.000	
22	024.41.202.00.00	CAPUCHON DE PROTECTION BETA 50 RR SPORT 2T 2021



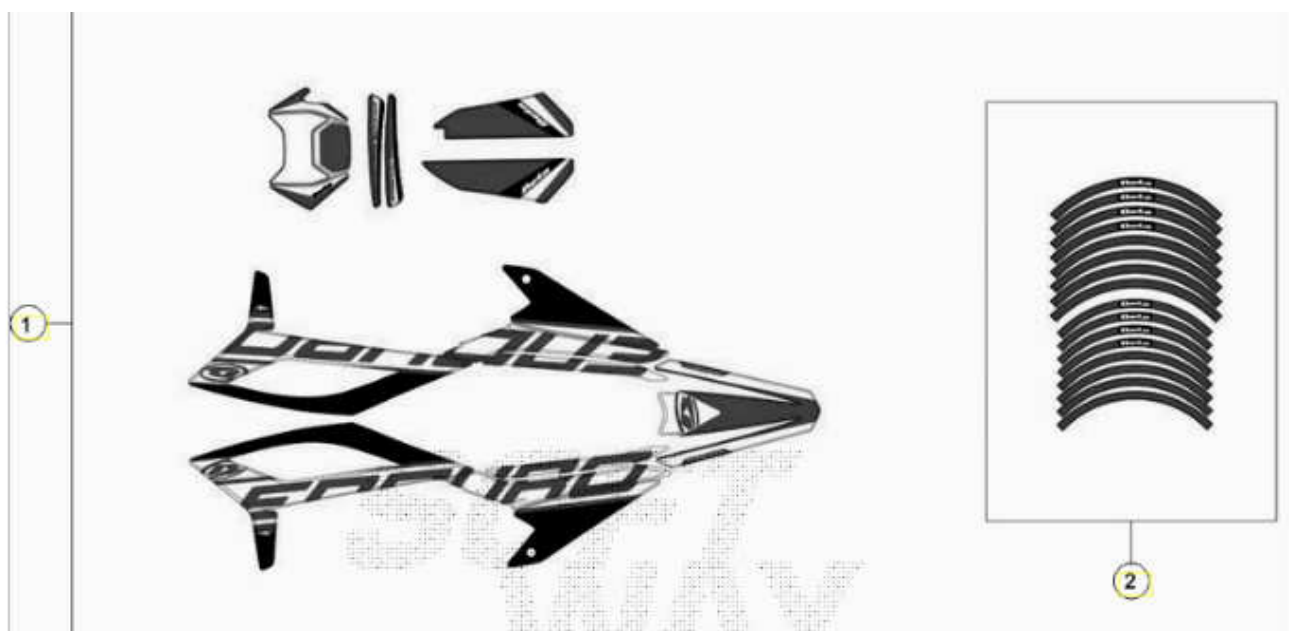
N°	Réf.	Description
1	021.42.020.00.59	JANTE-50 18.1,85 -36 TROUS BETA 50 RR SPORT 2T 2021
4	046.42.002.42.00	COURONNE TRANSMISSION SECONDAI Z62 BETA 50 RR SPORT 2T 2021
5	024.42.001.00.00	DISQUE FREIN ARR. WAVE BETA 50 RR SPORT 2T 2021
7	31.30476.000	VIS 6.16 T.B.C.H. BETA 50 RR SPORT 2T 2021
8	25.55621.000	PIVOT ROUE ARRIERE BETA 50 RR SPORT 2T 2021
9	13.85728.000	ENTRETOISE MOYEU ARR. COTE DIQUE BETA 50 RR SPORT 2T 2021

10	13.85737.000	ENTRETOISE MOYEU COTE COUR. BETA 50 RR SPORT 2T 2021
11	12.97005.000	ROULEMENT 17.47.14 RS BETA 50 RR SPORT 2T 2021
12	13.62727.000	ENTRETOISE INT. MOYEU ARR. BETA 50 RR SPORT 2T 2021
13	27.71210.000	RONDELLE 17,2 . 33 . 3 BETA 50 RR SPORT 2T 2021
14	13.29600.000	ECROU 16.1,5 BETA 50 RR SPORT 2T 2021
15	13.17031.000	ECROU M8 CONELock BETA 50 RR SPORT 2T 2021
17	31.64080.000	VIS AVEC BRIDE 8X28 8.8 BETA 50 RR SPORT 2T 2021
18	046.42.001.00.00	CHAINE 1/2 1/4 P.140 BETA 50 RR SPORT 2T 2021
19	024.42.013.82.00	MAILLON JONCTION BETA 50 RR SPORT 2T 2021
20	024.42.206.00.59	ROUE AR. BETA 50 RR SPORT 2T 2021
21	014.42.001.00.00	MOYEU ARR/ROUL ET ENTRET. INT BETA 50 RR SPORT 2T 2021
22	024.42.002.00.59	RAYON 3,5.203 BETA 50 RR SPORT 2T 2021
23	024.42.003.00.59	RAYON 3,5.206 BETA 50 RR SPORT 2T 2021
24	23.10110.000	RONDELLE D. 3,5 BETA 50 RR SPORT 2T 2021
25	15.36000.000	FLAP 17/18.25 BETA 50 RR SPORT 2T 2021
26	024.41.202.00.00	CAPUCHON DE PROTECTION BETA 50 RR SPORT 2T 2021



N°	Réf.	Description
1	046.43.001.80.59	RESERVOIR A ESSENCE BLACK BETA 50 RR 2T 2021
2	043.43.013.00.50	SELLE RED BETA 50 RR 2T 2021
3	046.43.007.00.51	PLAQUE PHARE WHITE BETA 50 RR 2T 2021
3	046.43.007.00.97	PLAQUE PHARE RED BETA 50 RR 2T 2021
4	046.43.003.00.97	GARDE-BOUE AV. RED BETA 50 RR 2T 2021
4	046.43.003.00.51	GARDE-BOUE AV. WHITE BETA 50 RR 2T 2021
5	043.43.004.00.51	GARDE-BOUE ARR. WHITE BETA 50 RR 2T 2021
5	043.43.004.00.97	GARDE-BOUE ARR. RED BETA 50 RR 2T 2021
6	043.43.014.80.97	OUIE DE RADIATEUR - PAIRE RED BETA 50 RR 2T 2021
6	043.43.014.80.51	OUIE DE RADIATEUR - PAIRE WHITE BETA 50 RR 2T 2021
7	11.50300.000	BOULON 6.30 RS CH 8 BETA 50 RR 2T 2021
8	032.37.013.00.00	SILENT-BLOCK SILENCIEUX BETA 50 RR 2T 2021
9	020.43.002.00.00	ENTRETOISE RESERVOIR BETA 50 RR 2T 2021
10	043.43.001.00.59	GUICHET BLACK BETA 50 RR 2T 2021
11	043.40.010.00.00	COMMUTATEUR BETA 50 RR 2T 2021
12	043.43.019.00.00	JOINT COUVERCLE BETA 50 RR 2T 2021
13	043.43.023.00.00	RACCORD BETA 50 RR 2T 2021
14	021.43.002.00.00	SUPPORT BETA 50 RR 2T 2021
15	021.43.004.00.00	RESSORT BETA 50 RR 2T 2021
16	021.43.003.00.00	PIVOT BETA 50 RR 2T 2021
17	021.43.137.80.00	BOUCHON BETA 50 RR 2T 2021
18	021.43.024.00.05	MOYEU BETA 50 RR 2T 2021
19	021.43.093.00.00	CONE BETA 50 RR 2T 2021
20	27.11320.000	RACCORD POUR CACHE HUILE BETA 50 RR 2T 2021
21	036.43.030.00.00	TUBE HUILE BETA 50 RR 2T 2021
22	046.43.000.00.59	PORTE-PLAQUE D_IMMATRICULATION BLACK BETA 50 RR 2T 2021
23	014.43.102.10.59	SUPPORT PLANQUE BETA 50 RR 2T 2021
24	12.33086.000	CATADIOPTRE ARRIERE BETA 50 RR 2T 2021
25	12.33062.000	CATADIOPTRE LATERAL BETA 50 RR 2T 2021
26	31.29860.000	VIS 5.16 T.R.L.C.C. T.10 BETA 50 RR 2T 2021
27	27.36000.000	RONDELLE 5.11 BETA 50 RR 2T 2021
28	11.50010.000	BOULON 6.25 RS CH 8 BETA 50 RR 2T 2021

29	13.62000.000	ENTRETOISE DISQUE BETA 50 RR 2T 2021
30	037.43.029.00.00	VIS SPECIALE M6X12 BETA 50 RR 2T 2021
31	31.23580.000	VIS 4,8.13 AUTOTARADEUSE T.M.R.C.C. BETA 50 RR 2T 2021
32	31.89010.000	VIS SPEC. BLOCAGE SELLE BETA 50 RR 2T 2021
33	037.43.028.00.00	VIS SPECIALE M6X8 BETA 50 RR 2T 2021
34	037.43.017.00.51	PASSE-CABLES WHITE BETA 50 RR 2T 2021
35	13.11010.000	ECROU 5 A BLOCAGE AUTOMATIQUE BETA 50 RR 2T 2021
36	13.49186.159	ENTRETOISE PLAQUE (LONG) BETA 50 RR 2T 2021
37	046.43.020.82.00	CONTENEUR FILTRES A CHARBONS A - KIT BETA 50 RR 2T 2021
38	024.43.017.00.00	ENTRETOISE BETA 50 RR 2T 2021
39	043.43.042.00.00	TUBE 3X5 L=180 BETA 50 RR 2T 2021
40	043.43.046.82.00	TAMPON - KIT BETA 50 RR 2T 2021
41	31.79960.000	VIS PLASTIQUE 6X15 BETA 50 RR 2T 2021
42	31.29910.000	VIS A TETE A SIX PANS 5.12 BETA 50 RR 2T 2021
43	020.43.007.00.00	ROBINET ESSENCE MY_10 BETA 50 RR 2T 2021
44	31.29827.059	VIS 5.8 BETA 50 RR 2T 2021
45	043.43.012.00.50	HOUSSE DE SELLE RED BETA 50 RR 2T 2021
46	31.30035.000	VIS 6.16 BETA 50 RR 2T 2021
47	25.60311.000	PLAQUETTE VIS M6 BETA 50 RR 2T 2021
48	046.43.015.00.00	TUYAU D_ESSENCE BETA 50 RR 2T 2021
49	31.29880.000	VIS 5.25 T.10 T.R.L.C.C. BETA 50 RR 2T 2021
50	11.49070.000	BOULON 6.20 RS CH 8 BETA 50 RR 2T 2021



N°	Réf.	Description
1	046.43.021.82.97	KIT AUTOCOLLANTS RED BETA 50 RR SPORT 2T 2021
1	046.43.021.82.51	KIT AUTOCOLLANTS WHITE BETA 50 RR SPORT 2T 2021
2	046.43.013.82.00	AUTOCOLLANT JANTES BETA 50 RR SPORT 2T 2021